



Terzani I Lucci Argentati LED Suspension

LA9477/220

SOURCE: <https://www.davidvillagelighting.co.uk/product/Terzani-I-Lucci-Argentati-LED-Suspension/9968>



PRODUCT DESCRIPTION

Designer: Dodo Arslan

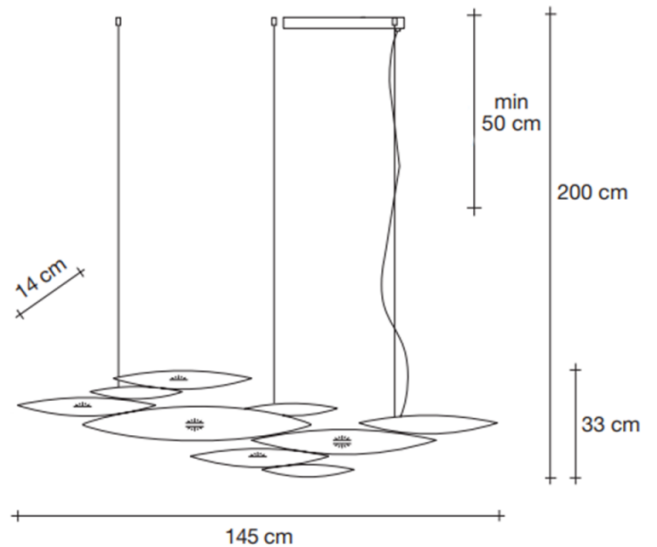
Terzani I Lucci Argentati LED Suspension

Stunning new design by Terzani: I Lucci Argentati draws from nature to create a whimsical, yet modern light. Recalling a school of fish darting through freshwater, it creates a mesmerizing luminescence. Various numbers of sleek diffusers combine to form a stunning pendant with thin incisions along the bottom creating an understated, tranquil beauty.

Also available in brushed nickel.

PRODUCT SPECIFICATION

- Light Source:** 10 x 4.5W, 3000K, 5300 Lumens
- IP Code:** 20
- Dimming:** Dimmable via 0-10V dimming systems. Please consult your electrician, additional wiring may be required on site.
- Dimensions:** Height: 33cm
Length: 220cm
Drop Height: 200cm



For all sales and technical enquiries, please contact:

+44 (0)114 263 4266

info@davidvillagelighting.co.uk

www.davidvillagelighting.co.uk