

Terzani Orten'zia Pendant

LA9443

SOURCE: <https://www.davidvillagelighting.co.uk/product/Terzani-Ortenzia-Pendant/9934>



PRODUCT DESCRIPTION

Designer: Bruno Rainaldi

Terzani Orten'zia Suspension

Inspired by the beauty of a flower and named after the Italian word for hydrangeas, the Terzani Orten'zia Pendant Light was designed by Bruno Rainaldi. This unique and elegant lighting solution consists of numerous hand-soldered petals that are crafted from metal and formed in clover-leaved patterns. When suspended the Orten'zia Pendant generates a similar effect to that of a disco ball, broadcasting unique and decorative lighting effects whilst also providing your interior with cosy ambient illumination.

A fascinating luminaire that adds a luxurious charm to living rooms, dining spaces, kitchens and entryways, the Terzani Orten'zia is available in either a nickel or gold finish and can be installed individually or in clusters. Display it alone or alongside the [Terzani Orten'zia Table Lamp](#) to create a cohesive interior.

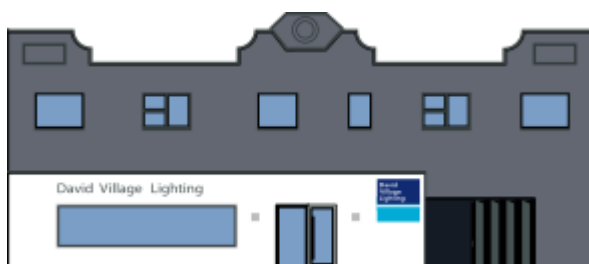
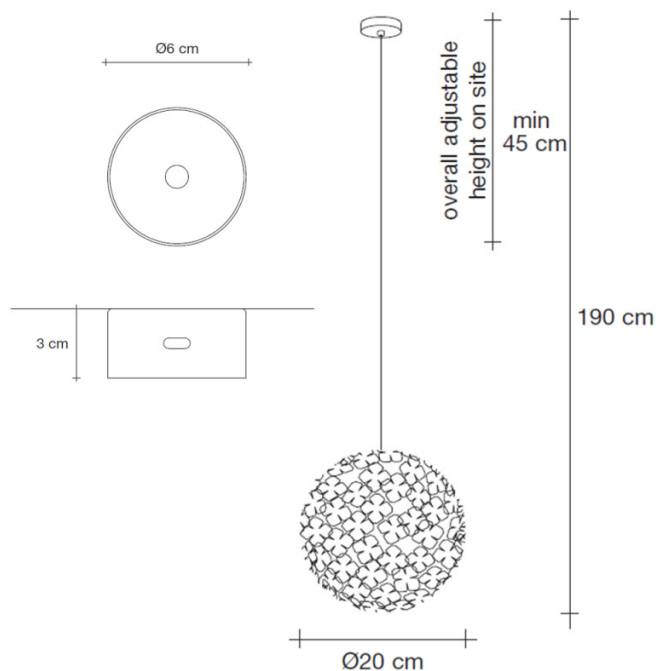
PRODUCT SPECIFICATION

Light Source: 1 x Max 4W E14 LED Dimmable (excluded)

IP Code: 20

Dimming: Dimmable via mains phase dimming.

Dimensions: Shade: Ø20cm
Minimum Cable Length: 45cm
Maximum Cable Length: 170cm
Ceiling Canopy: Ø6cm
Ceiling Canopy Depth: 3cm



For all sales and technical enquiries, please contact:

+44 (0)114 263 4266

info@davidvillagelighting.co.uk

www.davidvillagelighting.co.uk