



Terzani Atlantis Wall Light

LA9436

SOURCE: <https://www.davidvillagelighting.co.uk/product/Terzani-Atlantis-Wall-Light/9927>

PRODUCT DESCRIPTION

Designer: B. Baylar

Terzani Atlantis Wall Light

Terzani Atlantis Wall Light was created by New York designer, B. Baylar. Handcrafted by the Artisans, Atlantis Wall Light is constructed from a stainless steel frame and different-sized nickel chains to create an organic aesthetic. Like water, Atlantis' chains appear liquid-like, spilling over its gloss bands and falling downwards before turning back into itself.

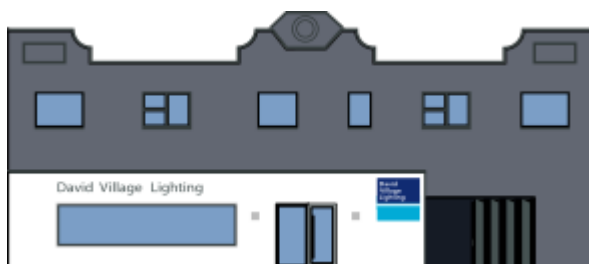
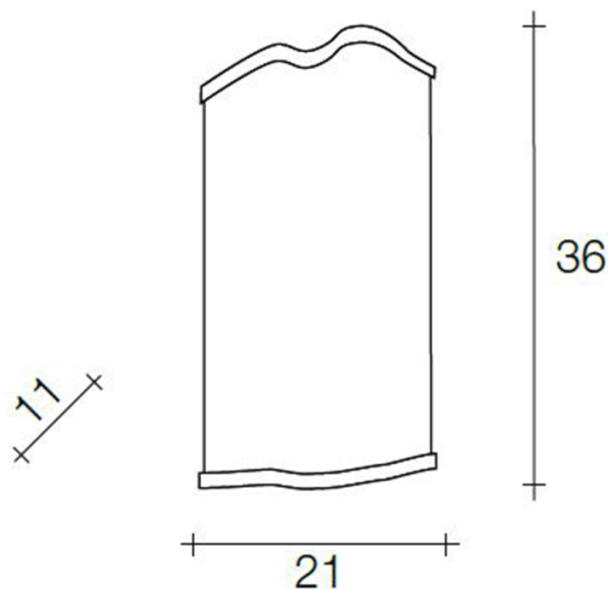
Atlantis Wall Light is perfect for commercial establishments such as restaurants, hotels, and spas. Thoughtfully designed, the rich materials and subtle use of angles seamlessly blend elegance and playfulness. Atlantis Wall Light is also available in a larger size, please [contact us](#) for more information.

Also available in champagne, black nickel, bronze and gold plated finishes.



PRODUCT SPECIFICATION

- Light Source:** 2x Max 6W, E14 LED (Excluded)
- IP Code:** 20
- Dimming:** Dimmable via mains phase dimming
- Dimensions:** Height: 36cm
Width: 21cm
Depth: 11cm



For all sales and technical enquiries, please contact:

+44 (0)114 263 4266

info@davidvillagelighting.co.uk

www.davidvillagelighting.co.uk