



Oluce Coupe 2202 Table Lamp

LA9390

SOURCE: <https://www.davidvillagelighting.co.uk/product/Oluce-Coupe-2202-Table-Lamp/9878>

PRODUCT DESCRIPTION

Designer: Joe Colombo

Oluce Coupe 2202 Table Lamp

Oluce Coupe 2202 Table Lamp was designed and created by Joe Colombo, in 1967. A year after this light was made, in 1968, the Coupé 2202 Table Lamp won the International Design Award from the American Institute of Interior Designers, in Chicago. It is part of the permanent collection at the MoMA in New York and of the Neue Sammlung Museum in Munich.

The direct table lamp has a special semi-cylindrical reflector in stove-enamelled metal which tilts and turns on a black plastic joint, which also changes the height of the reflector.

The Coupe 2202 Table lamp is created from a lacquered metal base, chromium-plated stem, and adjustable reflector in lacquered aluminium.



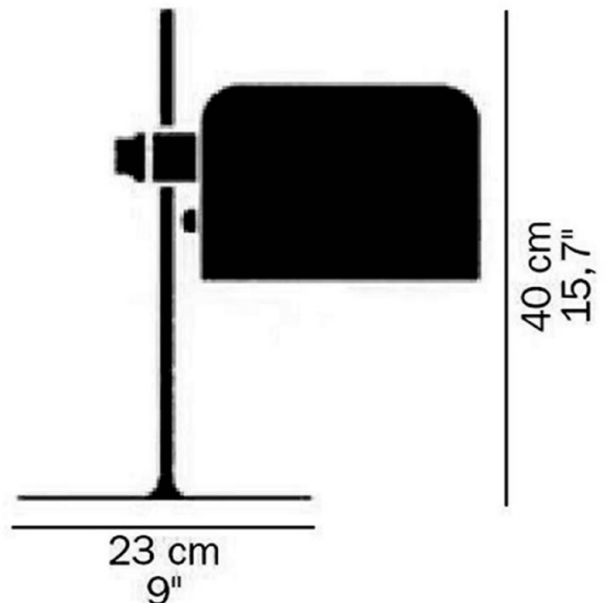
PRODUCT SPECIFICATION

Light Source: 1x Max 100W, E27 (excluded)

IP Code: 20

Dimming: In line on/off switch on cable

Dimensions: Height: 40cm
Base diameter: 23cm



For all sales and technical enquiries, please contact:

+44 (0)114 263 4266

info@davidvillagelighting.co.uk

www.davidvillagelighting.co.uk