



Oluce Atollo Opal Glass Lamps

LA9387

SOURCE: <https://www.davidvillagelighting.co.uk/product/Oluce-Atollo-Opal-Glass-Lamps/9863>

PRODUCT DESCRIPTION

Designer: Vico Magistretti

Oluce Atollo Opal Glass Table Lamps

Oluce Atollo Glass Table Lamp is the glass version of the iconic [Oluce Atollo Table Light](#), designed by Vico Magistretti in 1977. The table lamp has since gone on to inspire many designers and current trends, being a landmark light that changed the silhouette of the typical bedside lamp. Two light sources are located as the base and the shade of the lamp, creating a soft glow through the whole lamp.

Atollo Opal Glass Table Lamp features a beautiful organic form, with a large hemispherical lampshade and a sleek base. The opal glass creates a diffused and warm glow, creating a cosy atmosphere in any interior. Atollo Opal Glass Table Lamp is available in small, medium or large sizes and will look wonderful on any table or surface in homes, commercial settings and hospitality venues.



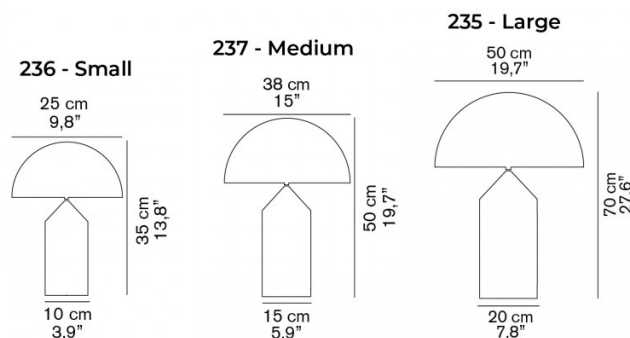
PRODUCT SPECIFICATION

Light Source: **Small:** 2X Max 40W, E14 + 1X Max 25W, E14 (excluded)
Medium: 2X Max 75W, E27 + 1X Max 40W, E14 (excluded)
Large: 2X Max 100W, E27 + 2X Max 25W, E14 (excluded)

IP Code: 20

Dimming: **Small** - In-line on/off switch included on cable
Medium - In-line dimmer included on cable
Large - In-line dimmer included on cable

Dimensions: **Small:**
Shade: Ø 25cm
Height: 35cm
Base: Ø 10cm
Medium:
Shade: Ø 38cm
Height: 50cm
Base: Ø 15cm
Large:
Shade: Ø 50cm
Height: 70cm
Base: Ø 20cm





For all sales and technical enquiries, please contact:

+44 (0)114 263 4266

info@davidvillagelighting.co.uk

www.davidvillagelighting.co.uk