

kdl*n*

KDLN Clover LED Suspension

LA9367

SOURCE: <https://www.davidvillagelighting.co.uk/product/KDLN-Clover-LED-Suspension/9811>

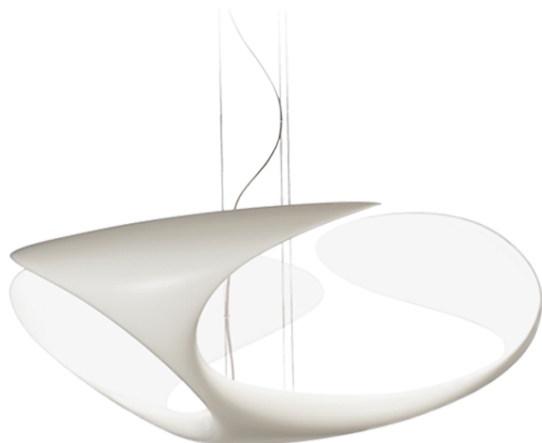
PRODUCT DESCRIPTION

Designer: Brodie Neill

KDLN Clover LED Suspension

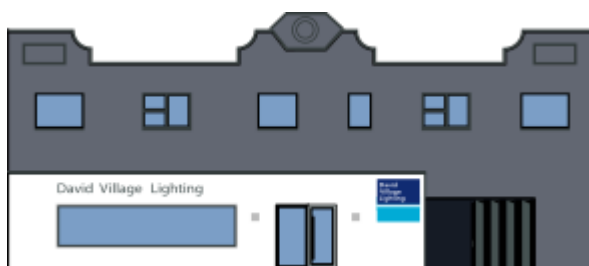
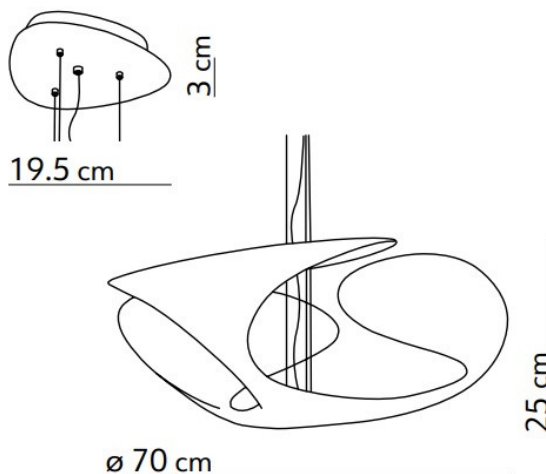
The Clover is a modern suspension light that is made of an expertly molded polyurethane matt varnished body with an aluminum reflector. The open, enveloping, intriguing three-dimensional structure is reminiscent of the natural design of a clover. The integrated LED light source is placed at the heart of the enveloping clover leaves creating a play of light reflections on the internal surfaces. This makes the light output appear more than it is as the one light source is reflected on the large leaf-like surfaces.

This LED suspension light by KDLN would be the perfect addition to a modern stylish interior that needs a soft indirect lighting solution. The design of this suspension is well thought through and unique, a stunning addition to any home or commercial space.



PRODUCT SPECIFICATION

- Light Source:** 25W, 2700K, 2600 lumens
- IP Code:** 20
- Dimming:** Dimmable via 1-10v dimming systems or Push to make/ switch dimming, dimmable using push to make switches. Please consult your electrician, additional wiring may be required on site.
- Dimensions:** Ø70cm
25cm height
180cm cable length



For all sales and technical enquiries, please contact:

+44 (0)114 263 4266

info@davidvillagelighting.co.uk

www.davidvillagelighting.co.uk