

FLOS

Flos Viscontea Pendant

LA9354

SOURCE: <https://www.davidvillagelighting.co.uk/product/Flos-Viscontea-Pendant/9778>



PRODUCT DESCRIPTION

Designer: Achille Castiglioni & Pier Giacomo Castiglioni

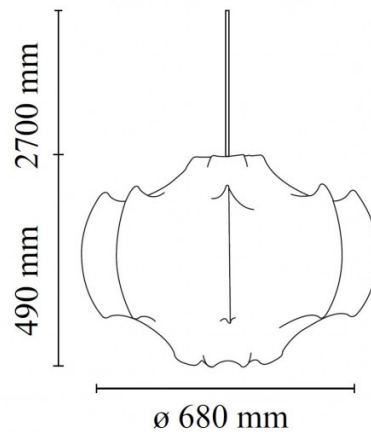
Viscontea Pendant Light by Flos

The Viscontea pendant light originally created by design duo Pier Giacomo and Achille Castiglioni in 1960 was re-released by Flos in 2005. Part of the Cocoon range by Flos, including the [Taraxacum](#), the Viscontea suspension is created from the same white powder coated internal steel structure, sprayed with a unique cocoon resin to create the diffuser which is then protected by a transparent sprayed-on finish.

The striking Viscontea pendant is unconventional and mysterious and provides a subtle and diffused light creating a relaxed atmosphere. This oversized light is ideal for large spaces in the hotel, hospitality, leisure and education industries, and also suits larger residential spaces.

PRODUCT SPECIFICATION

- Light Source:** 1 x max 15W LED E27 (excluded)
- IP Code:** 20
- Dimming:** Dimmable via mains phase dimming
- Dimensions:** Ø68cm
49cm shade height
270cm cable length



For all sales and technical enquiries, please contact:

+44 (0)114 263 4266

info@davidvillagelighting.co.uk

www.davidvillagelighting.co.uk