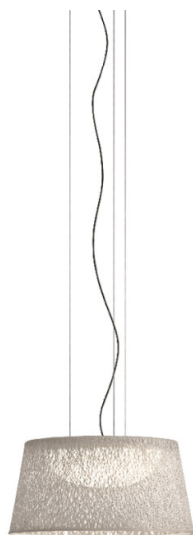


VIBIA

# Vibia Wind Suspension

LA11058

SOURCE: <https://www.davidvillagelighting.co.uk/product/Vibia-Wind-Suspension/9760>



## PRODUCT DESCRIPTION

**Designer:** Jordi Vilardell

### Vibia Wind Suspension

Designed by Jordi Vilardell, the Vibia Wind Suspension boasts a classic silhouette with a unique manufacturing process. The rounded shade of the Wind is crafted from glass fibres which are interconnected through a process called filament wiring. The fibres appear to be interwoven and create a beautiful effect around the metal structure of the shade. Hidden within the shade of the Wind Suspension is an LED light source, that is fitted within a diffuser and projects a glare-free illumination that is projected downwards but is also able to escape from the gaps in between the glass fibres.

This pendant light combines technology and tradition and is available in two sizes and three finishes, thanks to the IP65 rating Vibia Wind can be used in outdoor settings, creating a cosy pocket of light in your garden or commercial exterior.

**Please Note: The Vibia Wind Suspension is also available in a large size. This version has a rating of IP20 instead of IP65, so cannot be used outdoors.**

## PRODUCT SPECIFICATION

**Light Source:** **Small:** 1 x 25W, 2700K, 3299 Lumens  
**Medium:** 1 x 25W, 2700K, 3299 Lumens  
**Large:** 3 x 25W, 2700K, 3299 Lumens

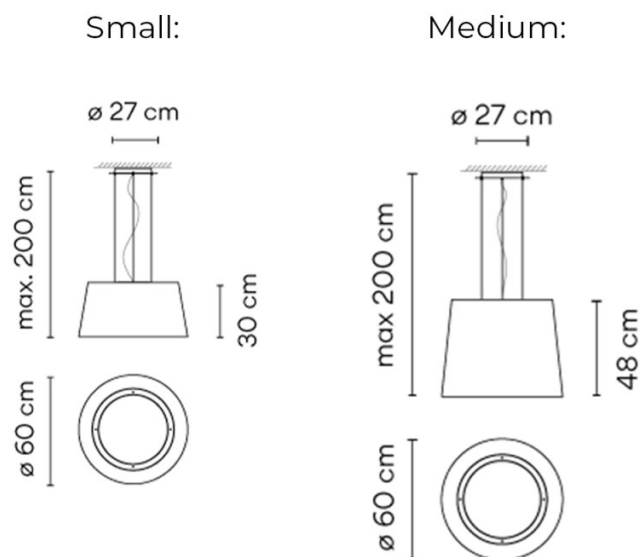
**IP Code:** IP65

**Dimming:** Non-Dimmable.

**Dimensions: Small (4072):**  
 Shade: Ø60cm  
 Shade Height: 30cm

**Medium (4077):**  
 Shade: Ø60cm  
 Shade Height: 48cm

Maximum Cable Length: 200cm  
 Ceiling Canopy: Ø27cm





**For all sales and technical enquiries, please contact:**

+44 (0)114 263 4266

[info@davidvillagelighting.co.uk](mailto:info@davidvillagelighting.co.uk)

[www.davidvillagelighting.co.uk](http://www.davidvillagelighting.co.uk)