



Luceplan Berenice 45 Table

LA9053

SOURCE: <https://www.davidvillagelighting.co.uk/product/Luceplan-Berenice-45-Table/9254>



PRODUCT DESCRIPTION

Designer: Alberto Meda & Paolo Rizzatto

Luceplan Berenice 45 Table Lamp

The Berenice 45 Table Lamp is available in either a aluminium or a black finish, with a collection of coloured diffuser options. The lamp hosts an easily adjustable body that generates extensive movement - creating a direct light source and making it a perfect task light. The fluid articulation of its movements and its perfect stability make Berenice the light that can be easily moved around without occupying too much precious space.

Berenice operates with a transformer that allows low tension current to reach the bulb through its rods without electric wiring. Its figure thus remains slim and elegant. With a special distancer housed in the lower part of the head, the light can be brought very close to whatever needs to be illuminated, while maintaining the right and safe distance from objects. By simply touching the head ring, which is well insulated and independent from the bulb housing, the light can also be moved in any direction.

The 45 Table Lamp is a larger version of the Berenice 30 Table Lamp.

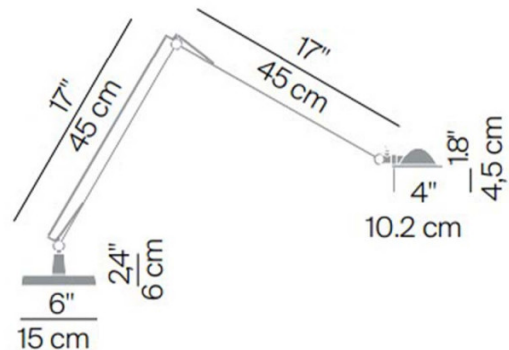
PRODUCT SPECIFICATION

Light Source: 1 x Max 30W GY6.35 (excluded)

IP Code: 20

Dimming: Integrated on/off switch on the product.

Dimensions: Arms: 45cm
Base: Ø15cm
Shade: Ø10.2cm





For all sales and technical enquiries, please contact:

+44 (0)114 263 4266

info@davidvillagelighting.co.uk

www.davidvillagelighting.co.uk