



Luceplan Berenice 30 Table

LA9050

SOURCE: <https://www.davidvillagelighting.co.uk/product/Luceplan-Berenice-30-Table/9251>

PRODUCT DESCRIPTION

Designer: Alberto Meda & Paolo Rizzatto

Luceplan Berenice 30 Table Lamp.

The Berenice 30 Table Lamp is available in either a aluminium or a black finish, with a collection of coloured diffuser options. It is the founding product in the Berenice range - a collection of reasonably small sprung-jointed lamps. The lamp hosts an easily adjustable body that generates extensive movement - creating a direct light source and making it a perfect task light. The fluid articulation of its movements and its perfect stability make Berenice the light that can be easily moved around without occupying too much precious space.

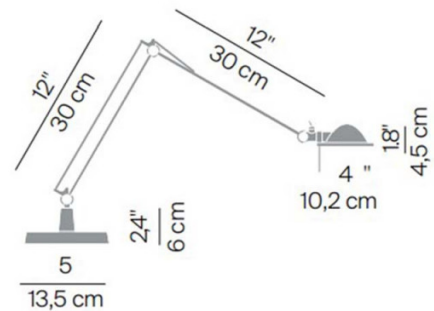
Berenice operates with a transformer that allows low tension current to reach the bulb through its rods without electric wiring. Its figure thus remains slim and elegant. With a special distancer housed in the lower part of the head, the light can be brought very close to whatever needs to be illuminated, while maintaining the right and safe distance from objects. By simply touching the head ring, which is well insulated and independent from the bulb housing, the light can also be moved in any direction.

The 30 Table Lamp is a smaller version of the Berenice 45 Table Lamp



PRODUCT SPECIFICATION

- Light Source:** 1 x Max 30W GY6.35 (excluded)
- IP Code:** 20
- Dimming:** Integrated on/off switch on the product.
- Dimensions:** Arms: 30cm
Base: Ø13.5cm
Shade: Ø10.2cm





For all sales and technical enquiries, please contact:

+44 (0)114 263 4266

info@davidvillagelighting.co.uk

www.davidvillagelighting.co.uk