



# Luceplan Berenice Floor Lamp

LA9048

SOURCE: <https://www.davidvillagelighting.co.uk/product/Luceplan-Berenice-Floor-Lamp/9249>

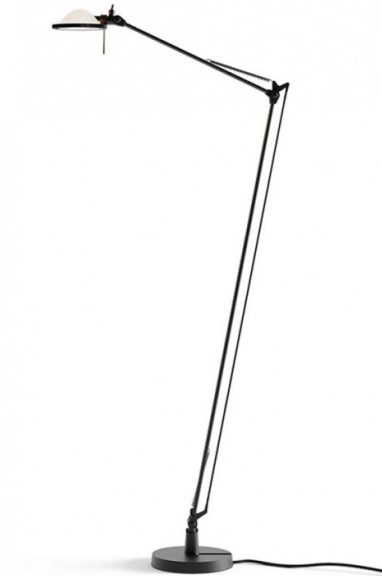
## PRODUCT DESCRIPTION

**Designer:** Alberto Meda & Paolo Rizzatto

### Luceplan Berenice Floor Lamp.

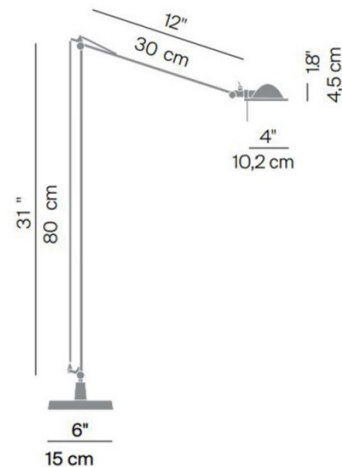
Luceplan Berenice Floor is available in black and aluminium finish with a collection of diffuser colour options. The fluid articulation of its movements and its perfect stability make Berenice the light that can be moved around without occupying valuable space and with the least trouble. In the floor version, Berenice is the ideal and discreet companion to people wanting to rest. It makes a perfect addition to your living room or any other space used in your house for relaxing. It also creates the perfect atmosphere for public spaces where you require ambient lighting - such as bars and restaurants. With a multitude of colour options, this floor light can blend in well to almost any interior.

Berenice operates with a transformer that allows low tension current to reach the bulb through the rods without electrical cable, thus leaving its figure slender and elegant. Thanks to a special distancer fitted into the lower part of the head, the light can be brought very close to whatever needs to be illuminated, while maintaining the right distance from objects. A simple touch of the head ring, which is well insulated and independent from the bulb housing, will also orient the light in any direction.



## PRODUCT SPECIFICATION

- Light Source:** 1 x Max 30W GY6.35 (excluded)
- IP Code:** 20
- Dimming:** Integrated on/off switch on the product.
- Dimensions:** H: 80cm  
Base: Ø15cm  
Shade: Ø10.2cm





**For all sales and technical enquiries, please contact:**

+44 (0)114 263 4266

[info@davidvillagelighting.co.uk](mailto:info@davidvillagelighting.co.uk)

[www.davidvillagelighting.co.uk](http://www.davidvillagelighting.co.uk)