

FOSCARINI

**Foscarini Havana Outdoor
Pendant**

LA8880

SOURCE: <https://www.davidvillagelighting.co.uk/product/Foscarini-Havana-Outdoor-Pendant/9155>



PRODUCT DESCRIPTION

Designer: Jozeph Forakis

**Foscarini Havana Outdoor Pendant
Light**

The Havana Outdoor Pendant by Foscarini brings all the classic and stylish design of the iconic [Foscarini Havana collection](#) to your exterior. Inspired by the shape of a cigar, the designer Jozeph Forakis has created a light that is internationally recognised, with his Havana lights being featured in a permanent exhibition at the prestigious MoMA in New York.

Made from four parts that are held together by rings, this pendant emits a warm, soft glow paired with bands of light that emanate out to brighten your outdoor area. You can use this outdoor pendant in canopies, gazebos, terraces, patios and many more in homes or in commercial settings to add a chic touch to the space. You can also match with the [Havana outdoor floor lamp](#) for a consistent lighting scheme for your exterior.

Please Note: The Foscarini Havana Outdoor Pendant doesn't come with a ceiling canopy and requires plugging into an outdoor socket. It can also be wired into mains using an IP rated connection box.

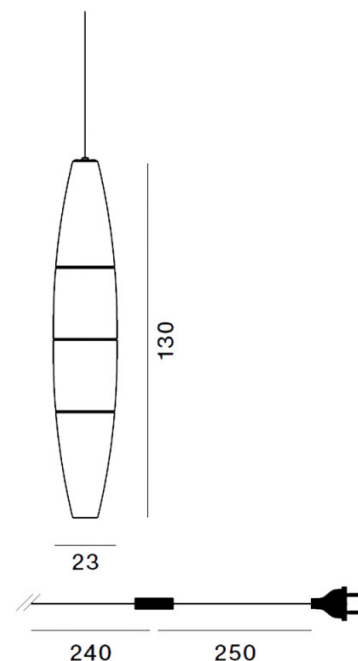
PRODUCT SPECIFICATION

Light Source: 1 x Max 46W E27 (excluded)

IP Code: 44-65

Dimming: Non-Dimmable.

Dimensions: Shade: Ø23cm
Height: 130cm
Cable Length: 490cm





For all sales and technical enquiries, please contact:

+44 (0)114 263 4266

info@davidvillagelighting.co.uk

www.davidvillagelighting.co.uk