



Santa & Cole GT5 Pendant

LA8991

SOURCE: <https://www.davidvillagelighting.co.uk/product/Santa-Cole-GT5-Pendant/9151>



PRODUCT DESCRIPTION

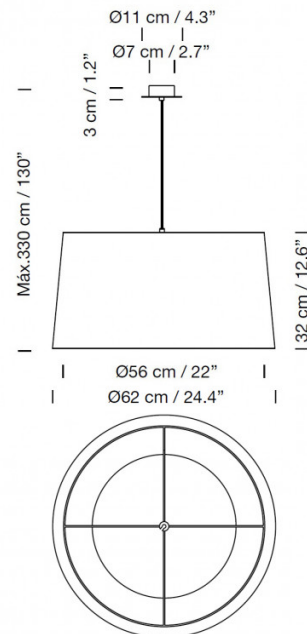
GT5 Suspension Light by Santa & Cole

The conception for the GT5 pendant light was first thought of in the early 1990s as the design team at Santa & Cole wanted a pendant for average-sized spaces and homes. They also strove to create a suspension that was made using something different from the normal use of continuous cardboard, textile or methacrylate. This led to them creating a beautiful cotton ribbon lampshade which has soft lines and a classic silhouette for an inviting and stylish solution.

The GT5 pendant lamp is available in six colour finishes, black, terracotta, natural, mustard, red amber and green and with the choice between three ceiling canopy colours and two cable colours. The light bulb is concealed by a translucent diffuser, creating a soft glow that spreads outwards, perfect for use as a main light. Also pair with the smaller [GT6 pendant lamp](#) for a varied look.

PRODUCT SPECIFICATION

- Light Source:** 1 x Max 12W E27 LED (excluded)
- IP Code:** 20
- Dimming:** Dimmable via mains phase dimming.
- Dimensions:** Shade: Ø62cm
Shade Height: 32cm
Ceiling Canopy: Ø11cm
Max Drop: 330cm



For all sales and technical enquiries, please contact:

+44 (0)114 263 4266

info@davidvillagelighting.co.uk

www.davidvillagelighting.co.uk