



LA8987

# Santa & Cole Estadio Single Support Suspension

SOURCE: <https://www.davidvillagelighting.co.uk/product/Santa-Cole-Estadio-Single-Support-Suspension/9147>



## PRODUCT DESCRIPTION

Designer: Miguel Milá

## Santa & Cole Estadio Single Support Suspension

Miguel Mila designed the Estadio Single Support Suspension in 1992, it consist of a metal ring with glass blocks, which project the light all around your space. The design and shape of the Estadio reminds us something from the Medieval times, where iron lights had a prominent position in castles or cathedrals, with numerous candles placed carefully and lighting up every room.

The Estadio Suspension was originally conceived for the 1992 Olympics in Barcelona, it is available in three sizes as well as in a linear version. The Estadio Suspension is also available with a [triple support](#). This luminaire was specifically designed to be displayed in larger commercial spaces, it has an overwhelming presence and produces a functional lighting output. A beautiful addition to office buildings, shopping centres, restaurants and hotel lobbies.

## PRODUCT SPECIFICATION

**Light** Estadio 105: 12 x Max 12W LED E27 (excluded)

**Source:** Estadio 150: 18 x x Max 12W LED E27 (excluded)

Estadio 250: 24 x x Max 12W LED E27 (excluded)

**IP Code:** 20

**Dimming:** Dimmable via mains phase dimming.

**Dimensions:** Estadio 105:

Ø105cm  
Height: 36cm

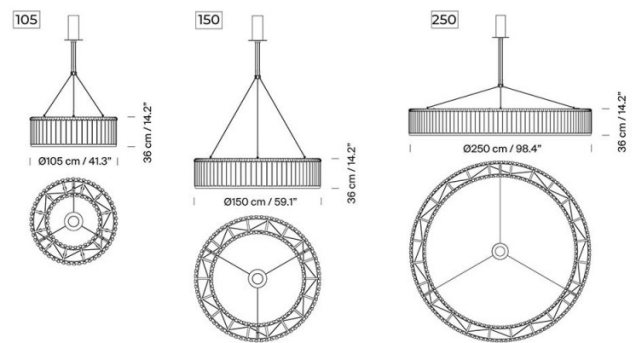
**Estadio 150:**

Ø150cm  
Height: 36cm

**Estadio 250:**

Ø250cm  
Height: 36cm

Drop Height: 190-445cm





**For all sales and technical enquiries, please contact:**

+44 (0)114 263 4266

[info@davidvillagelighting.co.uk](mailto:info@davidvillagelighting.co.uk)

[www.davidvillagelighting.co.uk](http://www.davidvillagelighting.co.uk)