



Santa & Cole GT7 Suspension

LA8965

SOURCE: <https://www.davidvillagelighting.co.uk/product/Santa-Cole-GT7-Suspension/9118>



PRODUCT DESCRIPTION

Designer: Santa & Cole Team

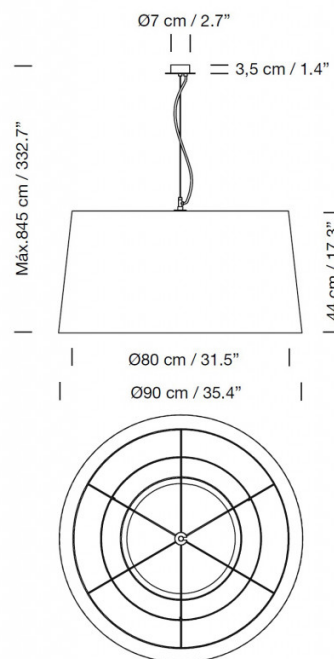
Santa & Cole GT7 Suspension

The GT7 pendant lamp is a larger version of the [GT5](#) and [GT6](#) pendants, which were originally developed in 1994 by the Santa & Cole brand. The lighting brand wanted to develop a lampshade that used something different from the usual cardboard or methacrylate and so developed a ribbioned shade. The fabric lampshade creates a beautiful billowing effect and soft lines, perfect for use in any design scheme.

The GT7 pendant light is available in six colour finishes, black, mustard, green, red amber, natural and terracotta, with each one adding a pop of colour or subtly to interiors. The pendant also has a PVC diffuser, concealing the light source for warm and comfortable illumination. Use as a main light thanks to its large size in homes, offices, commercial spaces and more.

PRODUCT SPECIFICATION

- Light Source:** 3 x Max 12W E27 LED (included)
- IP Code:** 20
- Dimming:** Dimmable via mains phase dimming.
- Dimensions:** Shade: Ø90cm
Shade Height: 44cm
Ceiling Canopy: Ø7cm
Max Drop: 845cm



For all sales and technical enquiries, please contact:

+44 (0)114 263 4266

info@davidvillagelighting.co.uk

www.davidvillagelighting.co.uk