

Artemide

Artemide Melampo Wall Light

LA8181/S

SOURCE: <https://www.davidvillagelighting.co.uk/product/Artemide-Melampo-Wall-Light/772>



PRODUCT DESCRIPTION

Designer: Adrien Gardere

Melampo Wall Light by Artemide

The final piece of the Melampo collection was designed by Adrien Gardere; who won various awards for the Melampo table and floor lamp. The wall light is suitable for any room and setting but is the perfect bedside companion. The shade of the Melampo wall light is fully adjustable as you can tilt it 30° or rotate it up to 45°, making it a highly versatile lamp that you can adjust and use depending on the task at hand.

Melampo wall light is again available in either a grey structure and shade or a bronze structure with a neutral shade. You can also choose whether you want the lamp to have an integrated on/off switch on the fitting. Explore the Melampo collection which also includes floor and table lamps.

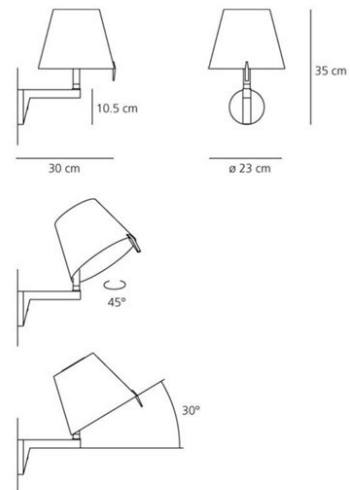
PRODUCT SPECIFICATION

Light Source: 1 x 6W E14 LED DIM (excluded)

IP Code: 20

Dimming: Dimmable via mains phase dimming.

Dimensions: Ø 30 cm shade
35 cm height
30 cm depth



For all sales and technical enquiries, please contact:

+44 (0)114 263 4266

info@davidvillagelighting.co.uk

www.davidvillagelighting.co.uk