

Artemide Choose Table Lamp

LA8155/P

SOURCE: <https://www.davidvillagelighting.co.uk/product/Artemide-Choose-Table-Lamp/678>



PRODUCT DESCRIPTION

Designer: Matteo Thun

Artemide Choose Table Lamp

Matteo Thun reimagined the traditional abat-jour with a modern intake to design the Choose light collection for Artemide. Choose table lamp has a polycarbonate diffuser, which takes a parchment pleated or white paper insert matched with an anthracite grey or chrome base. The lamp emits a diffused soft light and is the companion by your beside, on a shelf or just about anywhere around the home or office space. The diffuser is adjustable as you can tilt upwards or downwards and can rotate up to 350°; thus allowing you to adjust and direct the light to your liking. The Choose family includes two floor lamps, a suspension and a wall light, explore the collection and choose your favourite!

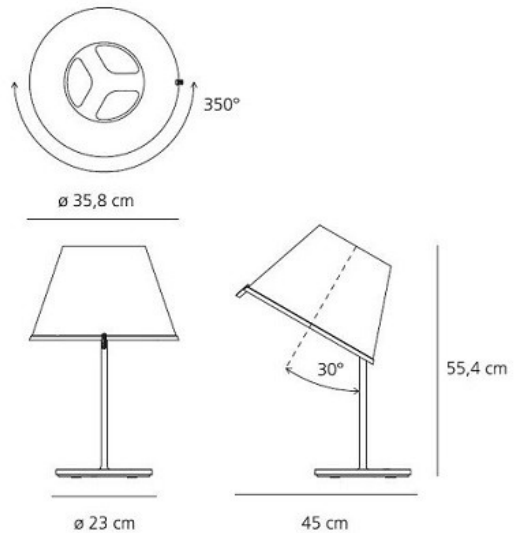
PRODUCT SPECIFICATION

Light Source: 1 x 8W E27 LED (excluded)

IP Code: 20

Dimming: Non dimmable

Dimensions: 55.4 cm height
45 cm depth
23 cm base
35.8 cm shade



For all sales and technical enquiries, please contact:

+44 (0)114 263 4266

info@davidvillagelighting.co.uk

www.davidvillagelighting.co.uk