

FLOS

Flos Biagio Table Lamp

LA8690

SOURCE: <https://www.davidvillagelighting.co.uk/product/Flos-Biagio-Table-Lamp/5986>

PRODUCT DESCRIPTION

Designer: Tobia Scarpa

Flos Biagio Table Lamp

This product is an Offline Only exclusive, available only to buy from selected authorised Flos dealers. Please [contact us](#) for pricing or to arrange an appointment to discuss this product in our [showroom](#).

The Biagio table lamp from Flos is a classic piece of 1960s design. Exquisitely carved from one single piece of Carrara marble, the Biagio table lamp has an eye-catching shape and features a curved spine, providing soft and direct light output.

The designer, Tobia Scarpa, famously worked with his wife Afra to design iconic Italian lighting and furniture products. Their philosophy was simple but ambitious: to use the most modern manufacturing techniques to create items that would harmonise with traditional interiors while making conventional designs even more functional. Designed by Scarpa in 1968, the Biagio table lamp remains a design classic while elegantly fitting into contemporary design.

To see Tobia Scarpa's other designs for Flos, please click [here](#).



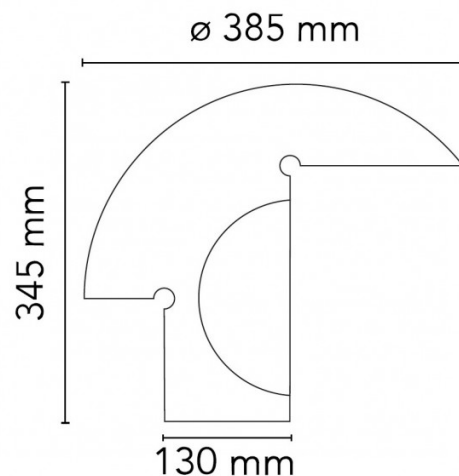
PRODUCT SPECIFICATION

Light Source: 1 x Max 8W E27 LED (excluded)

IP Code: 20

Dimming: In-line on/off switch included on cable.

Dimensions: Ø38.5cm
Height: 34.5cm
Base Length: 13cm
Cable Length: 220cm





For all sales and technical enquiries, please contact:

+44 (0)114 263 4266

info@davidvillagelighting.co.uk

www.davidvillagelighting.co.uk