

FRITZ HANSEN

# Fritz Hansen Concert Pendant

LA8468

SOURCE: <https://www.davidvillagelighting.co.uk/product/Fritz-Hansen-Concert-Pendant/5860>



## PRODUCT DESCRIPTION

Designer: Jørn Utzon

### Concert Pendant Light by Fritz Hansen

The Concert pendant light was designed in 2005 by Jørn Utzon who was the brains behind the Sydney Opera House. Reminiscent of the architectural triumph, this pendant is made from four steel shades which layer on top of each other with a glass cone diffuser in the centre. The diffuser obscures the light source, producing a warm glow that is directed downwards. The shades also allow for the light to illuminate outwards, spreading the light to fill the room.

The Concert pendant is stylish and chic having a timeless silhouette which is elegant and contemporary. The pendant light is available in 2 sizes so you can find the right fit for your space. You can buy one to have as a feature light or buy several to put in a row or cluster to create variety. Suitable for home and commercial spaces, this pendant can be used in a wide variety of settings.

## PRODUCT SPECIFICATION

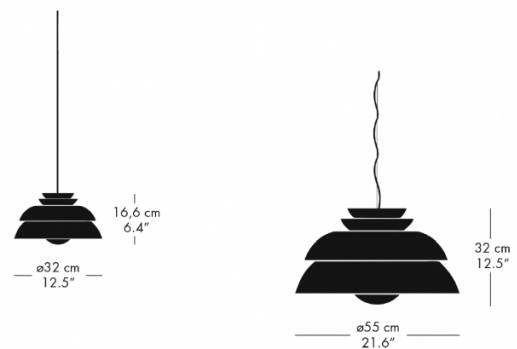
**Light Source:** P1: - 1 x Max 75W E27 (excluded)  
P3: - 1 x Max 150W E27 (excluded)

**IP Code:** 20

**Dimming:** Dimmable via mains phase dimming.

**Dimensions: P1:**  
Ø32cm  
Height: 16.6cm  
Cable Length: 3m

**P3:**  
Ø55cm  
Height: 32cm  
Cable Length: 6m





**For all sales and technical enquiries, please contact:**

+44 (0)114 263 4266

[info@davidvillagelighting.co.uk](mailto:info@davidvillagelighting.co.uk)

[www.davidvillagelighting.co.uk](http://www.davidvillagelighting.co.uk)