

**louis poulsen**

# Louis Poulsen PH 3/2 Academy Suspension

LA8562

SOURCE: <https://www.davidvillagelighting.co.uk/product/Louis-Poulsen-PH-32-Academy-Suspension/5825>



## PRODUCT DESCRIPTION

**Designer:** Poul Henningsen

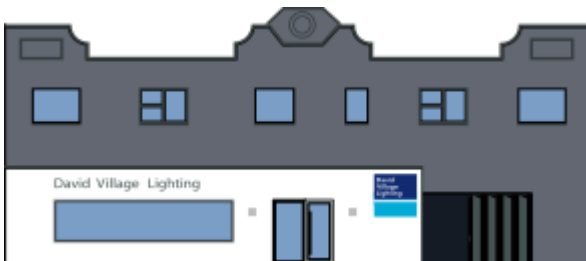
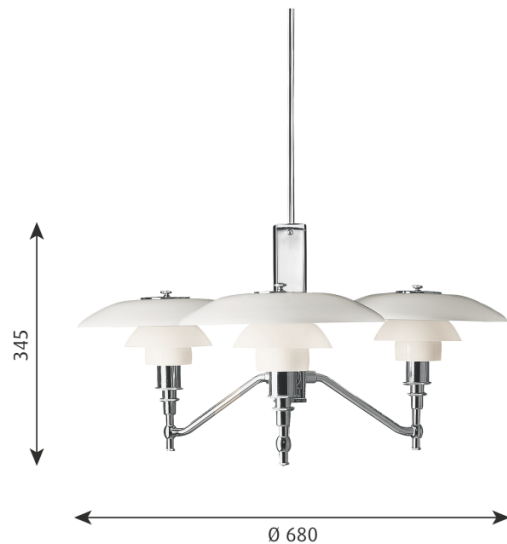
### PH 3/2 Academy Suspension Light by Louis Poulsen

The PH 3/2 Academy suspension is made from 3 gorgeous glass lampshades, originally designed by Poul Henningsen in 1925-26. The 3 layered system of the shade was made to softly diffuse the light, being glare-free and effective to create an inviting atmosphere. The spiralled effect of the shade is based on logarithmic spirals, being a perfect combination of mathematical and design ideals.

The PH 3/2 Academy suspension light can be used in any space at home or in a commercial settings. The vintage and classic silhouette make this suspension a timelessly stylish light that retains all the original beauty from the 20s design. Use in lounges, bedrooms, hallways and many more for a chic finish to the interior.

## PRODUCT SPECIFICATION

- Light Source:** 3 x Max 5W E14 LED (excluded)
- IP Code:** 20
- Dimming:** Dimmable via mains phase dimming.
- Dimensions:** Ø68cm  
Height: 34.5cm



**For all sales and technical enquiries, please contact:**

+44 (0)114 263 4266

[info@davidvillagelighting.co.uk](mailto:info@davidvillagelighting.co.uk)

[www.davidvillagelighting.co.uk](http://www.davidvillagelighting.co.uk)