

**FOSCARINI**

LA8525-XXS

## Foscarini Lumiere XXS Wall / Ceiling Light

SOURCE: <https://www.davidvillagelighting.co.uk/product/Foscarini-Lumiere-XXS-Wall-Ceiling-Light/5654>



### PRODUCT DESCRIPTION

**Designer:** Rodolfo Dordoni

### Lumiere XXS Ceiling/Wall Light by Foscarini

A versatile and stylish light, the Lumiere XXS ceiling/wall light was released in 2010 as part of the [Foscarini Lumiere collection](#), a bestselling range that started in 1990. Made from hand-blown glass, the wall/ceiling light has an asymmetric shape with rounded and smooth lines. The design is both contemporary and eye-catching looking iconic and interesting in any space.

The Lumiere XXS wall/ceiling lamp can be used in many settings in both homes and commercial spaces as it provides a lovely warm, diffused glow that lights up the room. Available in 2 colours, the light seamlessly slips into any design scheme. Use in multiple or alone to illuminate your interior and for bigger spaces, check out the [Lumiere XXL ceiling/wall light](#) online now.

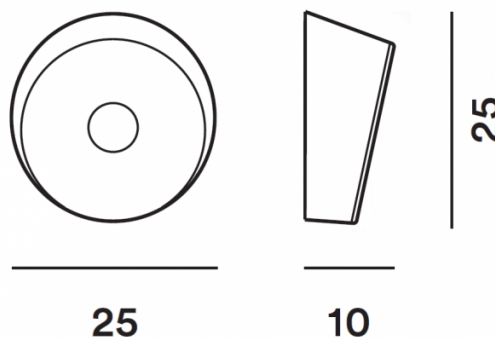
### PRODUCT SPECIFICATION

**Light Source:** 3 x max 8W G9 (excluded)

**IP Code:** 20

**Dimming:** Dimmable via mains phase dimming.

**Dimensions:** Ø25cm  
10cm depth



**For all sales and technical enquiries, please contact:**

+44 (0)114 263 4266

[info@davidvillagelighting.co.uk](mailto:info@davidvillagelighting.co.uk)

[www.davidvillagelighting.co.uk](http://www.davidvillagelighting.co.uk)