



Centrelight Equil Suspension

CL7001

SOURCE: <https://www.davidvillagelighting.co.uk/product/Centrelight-Equil-Suspension/5301>

PRODUCT DESCRIPTION

Oversized Equil Suspension - 68cmØ.

Ideal for large spaces in the hotel, hospitality, leisure and education industries, and in residential applications.

Disc-like suspension, giving indirect upwards light and direct downwards lighting.

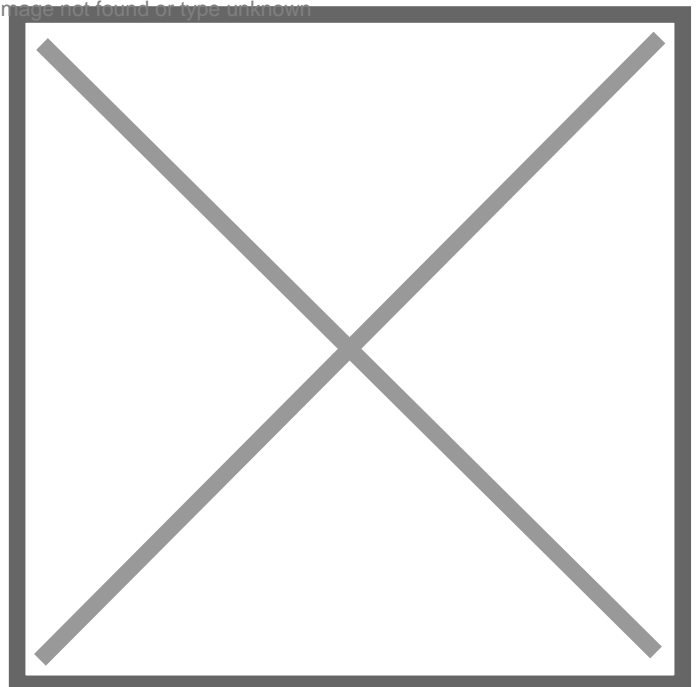
Structure and ceiling rose are matt white painted metal, diffuser is white roto-moulded polyethylene. Available with electronic ballast digital dimmable ballast.

68cmØ - 1 x 22W FSC 2GX13 + 1x40W FSC 2GX13

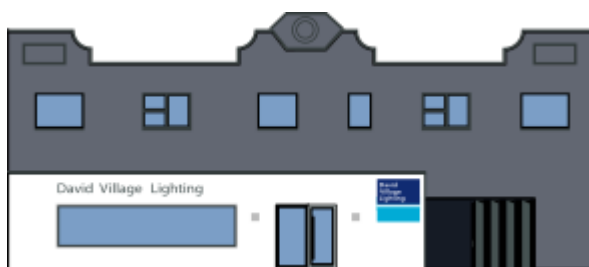
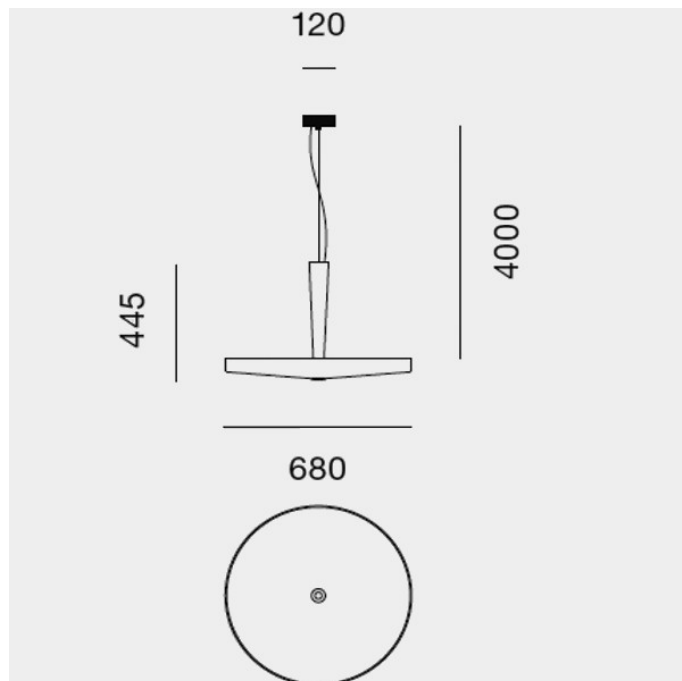
Please contact our office for up to date pricing and delivery information.



Image not found or type unknown



PRODUCT SPECIFICATION



For all sales and technical enquiries, please contact:

+44 (0)114 263 4266

info@davidvillagelighting.co.uk

www.davidvillagelighting.co.uk