

GUBI 

Bestlite BL10 Wall Light

LA8408

SOURCE: <https://www.davidvillagelighting.co.uk/product/Bestlite-BL10-Wall-Light/5244>



PRODUCT DESCRIPTION

Designer: Robert Dudley Best

BL10 Wall Light by Bestlite

Designed in 1930 by Robert Dudley Best, the BL10 wall light is a characterful and stunning light that is functional. Originally used by tailors, the wall light has flexible and movable arms so you can direct the light where you need. You can also adjust the lampshade for an even more concentrated glow. The light soon became a hit when it was released and is part of the renowned [Bestlite collection](#) which is still celebrated as the first lighting design inspired by the Bauhaus movement in Britain.

The BL10 wall lamp comes in 2 subtle finishes so you can find the right match for your design scheme. The iconic and beautiful design of the light makes it much needed and will be a piece of history in the room. The flexibility of the wall lamp makes it wonderful to use as a task or reading light. It can also be used to illuminate a particular object/corner or simply used to create a warm atmosphere with its soft glow. Do not miss out on this wondrous light that is steeped in history and has stayed current even 90 years after its release!

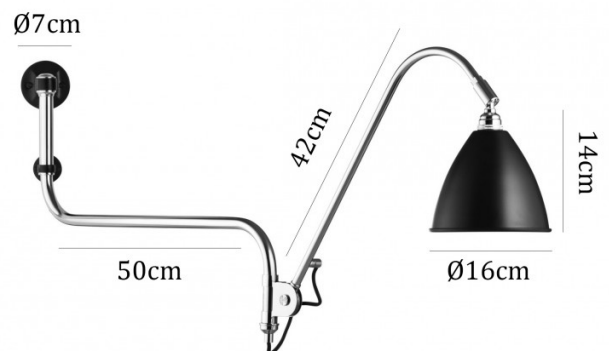
PRODUCT SPECIFICATION

Light Source: 1 x max 28W E14 (excluded)

IP Code: 20

Dimming: In line on/off switch included on cable

Dimensions: Ø16cm shade
14cm shade height
42cm arched arm
50cm straight arm
Ø7cm wall base
2m cable length





For all sales and technical enquiries, please contact:

+44 (0)114 263 4266

info@davidvillagelighting.co.uk

www.davidvillagelighting.co.uk