



Centrelight Eava Floor

CL1201

SOURCE: <https://www.davidvillagelighting.co.uk/product/Centrelight-Eava-Floor/5195>

PRODUCT DESCRIPTION

Oversized Eava floor lamp - ideal for large spaces in the hotel, hospitality, leisure and education industries, and in residential applications.

The floor lamp is made with a turned wooden frame, and painted lacquered aluminium.

Available in silver, gold, white, orange, magenta or black.

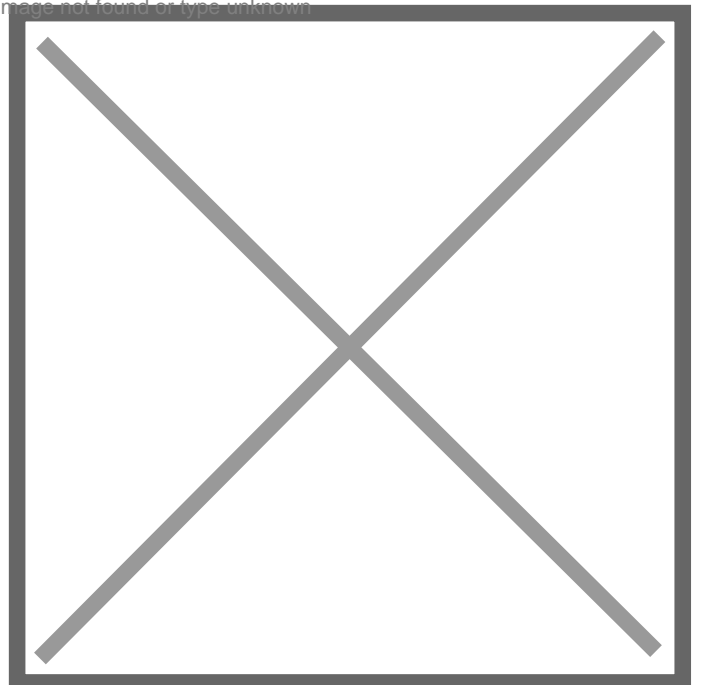
Height: 190cm
Shade Diameter: 50cm
Base Diameter: 40cm

Lamps: 3 x 70watt energy saver E27 + 1 x 150watt R7s

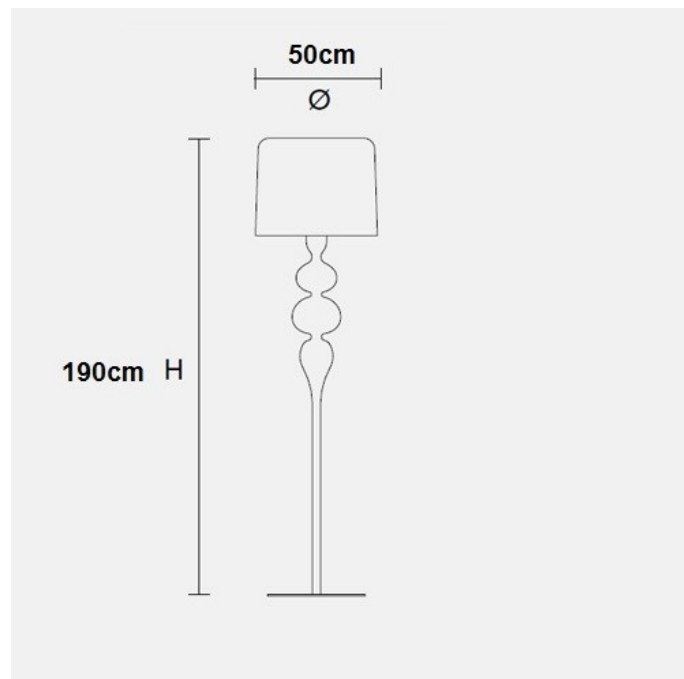
Please contact our office for up to date pricing and delivery information. Also available as a suspension and table lamp - see images below - call our office for more information.



Image not found or type unknown



PRODUCT SPECIFICATION



For all sales and technical enquiries, please contact:

+44 (0)114 263 4266

info@davidvillagelighting.co.uk

www.davidvillagelighting.co.uk