

Artemide

Artemide Tizio Table Lamp

LA8084

SOURCE: <https://www.davidvillagelighting.co.uk/product/Artemide-Tizio-Table-Lamp/400>

PRODUCT DESCRIPTION

Designer: Richard Sapper

Artemide Tizio Table Lamp

Artemide's Tizio was designed in 1972 by Richard Sapper. An award-winning collection, the Tizio was one of the first table lights to incorporate a halogen lamp. Because of its unique design, no cables are required - the low-voltage current is simply carried along the conducting arms of the Tizio itself. The counterbalance system ensures that Tizio is always in balance, and can be set in almost any position.

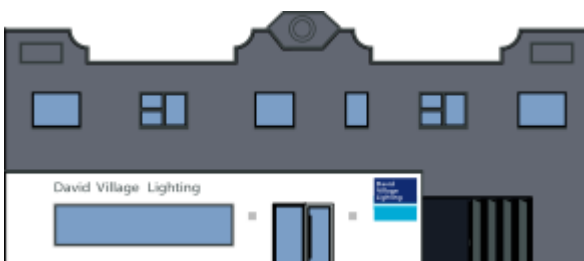
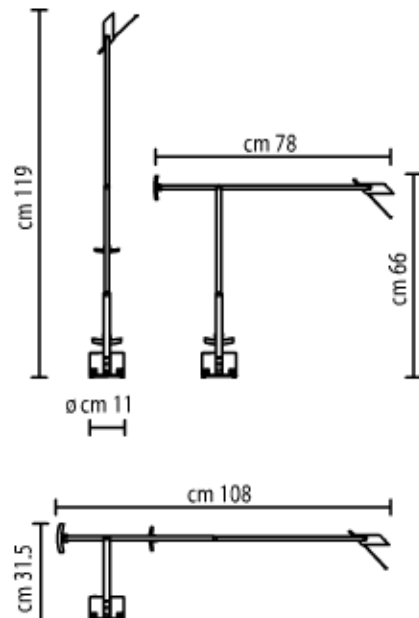
The classic Artemide Tizio Table Lamp comes in a black or white finish with adjustable counterbalanced arms and head in painted aluminium. The Tizio gives direct adjustable light with two light levels. The [Tizio Collection](#) includes a floor stand to make your Tizio Lamp even more adaptable.

Please note Tizio White is now non-dimmable.



PRODUCT SPECIFICATION

- Light Source:** 1x 2.5W 12V GY6,35 LED (please check size of LED lamp for compatibility - excluded)
- IP Code:** 20
- Dimming:** **Black** - Integrated two-stage dimmer on the base.
White - Integrated On/Off switch on the base.
- Dimensions:** Ø 11 cm base
31.5-119 cm height
78-108 cm length



For all sales and technical enquiries, please contact:

+44 (0)114 263 4266

info@davidvillagelighting.co.uk

www.davidvillagelighting.co.uk