

Artemide Logico Suspension

LA8057

SOURCE: <https://www.davidvillagelighting.co.uk/product/Artemide-Logico-Suspension/353>



PRODUCT DESCRIPTION

Designer: Michele De Lucchi & Gerhard Reichert

Artemide Logico Suspension

Michelle De Lucchi and Gerhard Reichert collaborated on many projects, including the Logico collection. The Logico Suspension won the 2002 Red Dot Award, an international design competition. The blown-glass diffuser has three layers, first crystal, then the silk and then a final crystal layer. This process attributes the diffuser to a polished-silk finish with a fabric-like effect. For perfect consistency in the glass structure, the mould is placed upside down. The silk effect creates an interesting appearance when switched off.

Logico Suspension is available in two sizes and the diffuser is available in three colour options, silk white or grey blown glass. The collection also includes other suspension lights, ceiling lights and table lamps. All with the characteristic floral glass diffuser in the same two colour options. Logico's modular design allows you to create your own light compositions, by combining different Logico lights.

PRODUCT SPECIFICATION

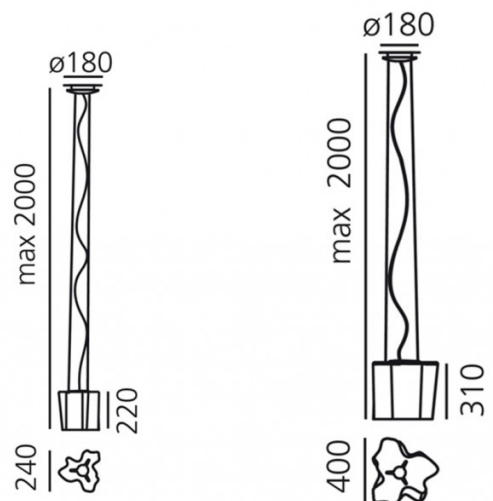
Light Source: **Logico** - 1 x 15W E27 LED DIM (excluded)  
**Logico Mini** - 1 x 10W E27 LED DIM (excluded)

IP Code: 20

Dimming: Dimmable via mains phase dimming.

Dimensions: **Logico** - 40 x 31 cm shade  
**Logico Mini** - 24 x 22 cm shade

max 200cm drop height





**For all sales and technical enquiries, please contact:**

+44 (0)114 263 4266

[info@davidvillagelighting.co.uk](mailto:info@davidvillagelighting.co.uk)

[www.davidvillagelighting.co.uk](http://www.davidvillagelighting.co.uk)