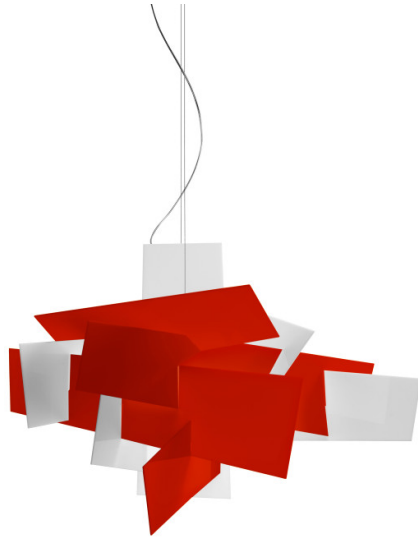


**FOSCARINI**

**Foscarini Big Bang Pendant**

LA8042/R

SOURCE: <https://www.davidvillagelighting.co.uk/product/Foscarini-Big-Bang-Pendant/342>



**PRODUCT DESCRIPTION**

**Designer:** Enrico Franzolini & Vicente Garcia Jimenez

**Foscarini Big Bang Pendant**

A visually stunning and abstract light, the Big Bang pendant was created from the designers' inspiration from the explosion. The shade reinterprets the inspiration with the use of multiple parts combined together to create an angular and powerful aesthetic. The pendant plays with light and shadow as the different panels diffuse the light and create an illumination that glows from all angles of the lampshade.

Available in either a red or white colour finish, the Big Bang pendant light is a stand-out light that will draw attention in any room. Perfect as a main light in a smaller space, or in multiple big rooms or high ceilings, this pendant light surely makes a statement and is a combination of art and function. This light is also available with an integrated LED light source and in bigger sizes. Please [click here](#) to explore more versions from the collection.

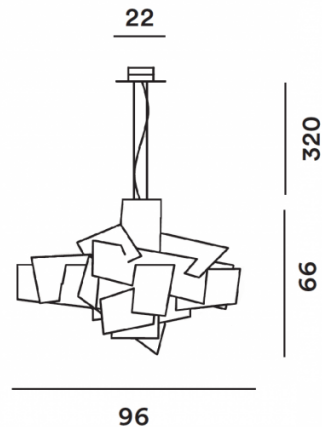
**PRODUCT SPECIFICATION**

**Light Source:** 1 x Max 160W R7s (excluded)

**IP Code:** 20

**Dimming:** Dimmable via mains phase dimming.

**Dimensions:** Body: Ø90cm  
Body Height: 63cm  
Ceiling Rose: Ø22cm  
Cable Length: 320cm





**For all sales and technical enquiries, please contact:**

+44 (0)114 263 4266

[info@davidvillagelighting.co.uk](mailto:info@davidvillagelighting.co.uk)

[www.davidvillagelighting.co.uk](http://www.davidvillagelighting.co.uk)