

FLOS

Flos In Vitro LED Outdoor Wall Light

LA10394/W

SOURCE: <https://www.davidvillagelighting.co.uk/product/Flos-In-Vitro-LED-Outdoor-Wall-Light/21584>



PRODUCT DESCRIPTION

Designer: Philippe Starck & Eugeni Quitllet

In Vitro LED Wall Light by Flos

The In Vitro wall light is made from aluminium, and can be used in both outdoor and indoor spaces. The wall light has a sleek and minimalist design, with a cylindrical silhouette that meets at the bottom. A glass diffuser sits inside and an integrated LED light source sits in the top for a long-lasting illumination. You can also choose between a 2700K (warmest white) and a 3000K (warm white) colour temperature.

The In Vitro LED wall lamp is available in 7 colour finishes, white, pale green, terracotta, black, deep brown, forest green or anthracite, so you can find the right finish for your design scheme. This wall lamp is very versatile as you can use it in multiple to line your corridor, as a welcome home light or as a handy light in your garden and many more possibilities.

This LED wall light is also available in a dimmable version upon request. Please [contact us](#) for more information.

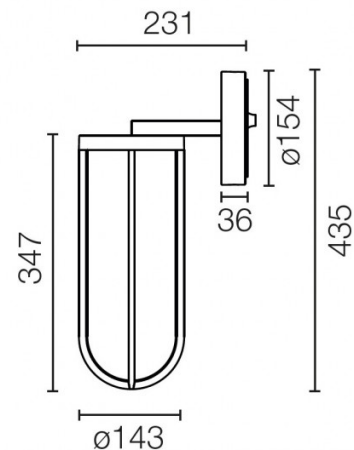
PRODUCT SPECIFICATION

Light Source: 11W, 2700K, 1150 lumens
or
11W, 3000K, 1230 lumens

IP Code: 65

Dimming: Non-dimmable

Dimensions: Ø14.3cm
34.5cm shade height
43.5cm height
23.1cm depth
Ø15.4cm wall base





For all sales and technical enquiries, please contact:

+44 (0)114 263 4266

info@davidvillagelighting.co.uk

www.davidvillagelighting.co.uk