

innermost

Innermost Hoxton Pendant

LA10385

SOURCE: <https://www.davidvillagelighting.co.uk/product/Innermost-Hoxton-Pendant/21525>



PRODUCT DESCRIPTION

Designer: Steve Jones and James Bartlett

Innermost Hoxton Pendant Light

The Innermost Hoxton Pendant Light is inspired by the timeless industrial character of London's East End. Designed collaboratively by Steve Jones and James Bartlett, this light showcases three angled facets that create a contemporary, curvilinear shape in spun aluminium. Its two size options makes it ideal for intimate settings, such as bar counters or dining tables, where it can be used singly or in clusters for added effect or as a main lighting feature in dining areas, open-plan living spaces, or high-ceilinged commercial environments.. The contrast of the black or white exterior with the antique gold interior provides an extra layer of warmth and sophistication.

Perfect for modern interiors with an industrial edge, the Hoxton pendant complements both commercial and residential spaces. With its strong visual impact and understated elegance, this pendant works beautifully on its own or combined with other Hoxton lights for a dynamic lighting arrangement.

PRODUCT SPECIFICATION

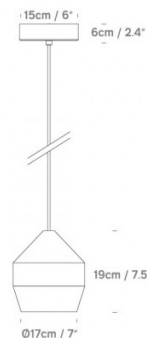
Light Source: 1 x Max 100W E27 (excluded)

Dimming: Dimmable via mains phase dimming.

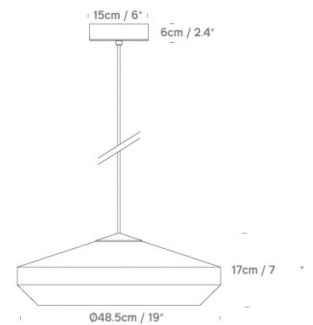
Dimensions: **Hoxton 17** - Ø17cm, H 19cm
Hoxton 50 - Ø48.5cm, H 17cm

Ceiling Canopy: Ø15cm
Cable Length: 4m

Hoxton 17



Hoxton 50





For all sales and technical enquiries, please contact:

+44 (0)114 263 4266

info@davidvillagelighting.co.uk

www.davidvillagelighting.co.uk