

Petite Friture

LA5493/5P

# Petite Friture Cherry LED Multiple Cluster Pendant

SOURCE: <https://www.davidvillagelighting.co.uk/product/Petite-Friture-Cherry-LED-Multiple-Cluster-Pendant/21486>



## PRODUCT DESCRIPTION

Designer: Daniel · Emma

### Cherry LED Multiple Cluster Pendant Light by Petite Friture

The Cherry multiple pendant light is made from 5 of the extra small Cherry pendants, designed by Daniel To and Emma Aiston. The pendant has a cone shape and is paired with a metallic sphere that has a mirror finish, creating an intriguing colour finish that draws the eye.

The Cherry multiple pendant lamp is available with either a round or linear ceiling canopy and in 4 colour combinations, white & gold, brown red & rose gold, mint green & titanium and black & rainbow. The pendant light has included LED light sources for a long-lasting glow which is directed downward and diffused.

## PRODUCT SPECIFICATION

**Light Source:** 5 x 7.8W, 3000K, 1040 lumens

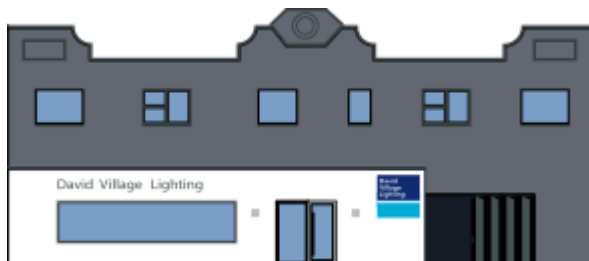
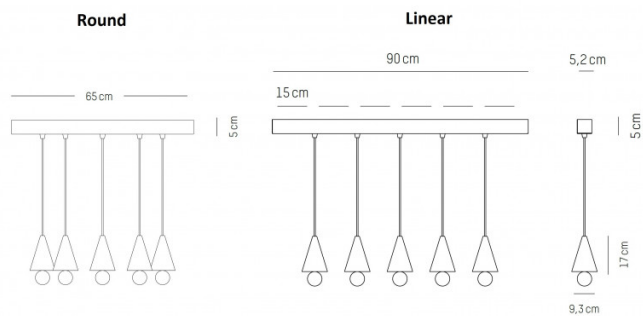
**IP Code:** 20

**Dimming:** Dimmable via mains phase dimming

**Dimensions:** Ø9.3cm pendant  
17cm pendant height  
300cm cable length

**Linear:**  
90cm ceiling canopy length  
5.2cm ceiling canopy width

**Round:**  
Ø65cm ceiling canopy  
5cm ceiling canopy height



For all sales and technical enquiries, please contact:

+44 (0)114 263 4266

info@davidvillagelighting.co.uk

www.davidvillagelighting.co.uk