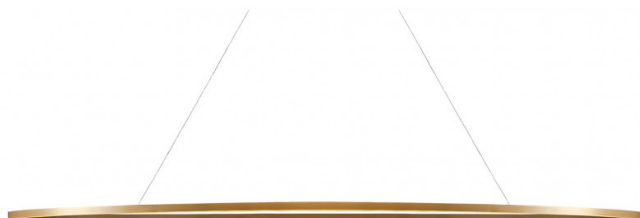


**NEMO**

LA10088/MEG

**Nemo Lighting Ellisse Mega  
LED Pendant**

SOURCE: <https://www.davidvillagelighting.co.uk/product/Nemo-Lighting-Ellisse-Mega-LED-Pendant/21446>



**PRODUCT DESCRIPTION**

Designer: Federico Palazzari

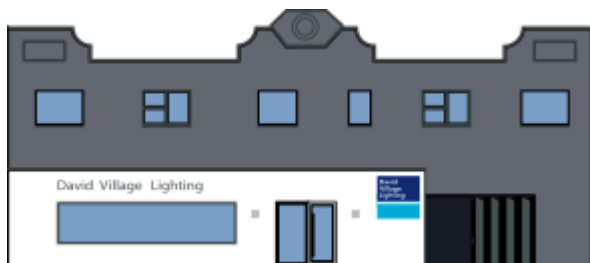
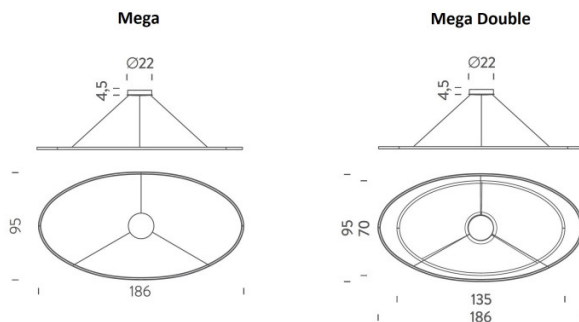
**Ellisse Mega LED Pendant Light by  
Nemo Lighting**

The Ellisse Mega pendant is the largest pendant light in the [Nemo Lighting Ellisse collection](#), and is available in the regular Mega version or in the Mega Double pendant version which has 2 rings. The regular Mega pendant lamp is available with the choice of either an uplight or downlight glow, whereas the Mega Double pendant light provides both a downlight and an uplight.

The Mega Double and the Mega pendant lamp are both available in 3 colours, white, black or gold painted, and would be a stylish addition to any interior. The large size makes it perfect for use as a main light or you can mix and match versions and colours in larger spaces to make an impact. The integrated LED light source is effective and warm and will be a wonderful lighting solution for both domestic and commercial settings.

**PRODUCT SPECIFICATION**

- Light Source:** **Mega** - 85W, 3000K, 4425 lumens  
**Mega Double** - 90W, 3000K, 4675 lumens
- Dimming:** Dimmable via 1-10v dimming systems. Please consult your electrician, additional wiring may be required on site.
- Dimensions: Mega:**  
186cm width  
95cm depth
- Mega Double:**  
186cm big ring width  
135cm small ring width  
95cm big ring depth  
70cm small ring width
- Ø22cm ceiling canopy  
250cm max. cable length



**For all sales and technical enquiries, please contact:**

+44 (0)114 263 4266

info@davidvillagelighting.co.uk

www.davidvillagelighting.co.uk