

**NEMO**

LA10088/D

**Nemo Lighting Ellisse Double  
LED Pendant**

SOURCE: <https://www.davidvillagelighting.co.uk/product/Nemo-Lighting-Ellisse-Double-LED-Pendant/21444>



**PRODUCT DESCRIPTION**

**Designer:** Federico Palazzari

**Ellisse Double LED Pendant Light  
by Nemo Lighting**

A part of the [Nemo Lighting Ellisse collection](#), the Ellisse Double pendant was designed by Federico Palazzari. The pendant lamp emits a minor uplight and a major downlight, creating an ambient and directed glow that is perfect for many settings.

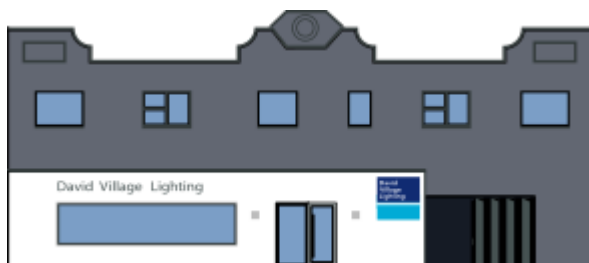
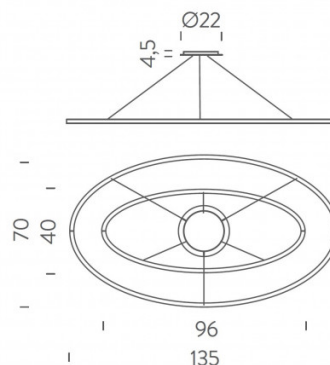
The Ellisse Double pendant lamp is characterised by 2 rings that can be positioned how you want and sit beautifully suspended in the air. The integrated LED light source is covered by an opal diffuser, which creates a soft illumination that is effective and efficient. The big size means this pendant light is suitable to use as a main light, or you can even use in multiple for much larger spaces. Available in 3 finishes, black, gold painted or white.

**PRODUCT SPECIFICATION**

**Light Source:** 90W, 3000K, 4675 lumens

**Dimming:** Dimmable via 1-10v dimming systems. Please consult your electrician, additional wiring may be required on site.

**Dimensions:** 135cm big ring width  
96cm small ring width  
70cm big ring depth  
40cm small ring depth  
Ø22cm ceiling canopy  
250cm max. cable length  
Drop Cable: 40cm - 250cm



**For all sales and technical enquiries, please contact:**

+44 (0)114 263 4266

info@davidvillagelighting.co.uk

www.davidvillagelighting.co.uk