

NEMO

LA10090/MW

**Nemo Lighting Lampe de
Marseille Mini Wall Light**

SOURCE: <https://www.davidvillagelighting.co.uk/product/Nemo-Lighting-Lampe-de-Marseille-Mini-Wall-Light/21440>

PRODUCT DESCRIPTION

Designer: Le Corbusier

**Lampe de Marseille Mini Wall Light
by Nemo Lighting**

The mini version of the [Lampe de Marseille wall lamp](#), the Lampe de Marseille Mini wall light was designed by the iconic Le Corbusier. Often seen as an innovator of his time, Le Corbusier has had a massive influence on design over the course of the 20th century.

The Lampe de Marseille Mini wall lamp is characterised by a lampshade that has 2 light sources, with a smaller top and bigger bottom which both provide a warm glow. The arms and the shade of the wall light are movable and adjustable so you can direct the light where you need. A classic and chic light, this wall lamp is available in 3 lovely colours, matt black, matt grey and white wash.

The Lampe de Marseille Mini comes with a cable and plug with an on/off switch on the cable, so needs to be installed near a socket. Alternatively, you can remove the plug and wire into the mains electric with consultation from a qualified electrician.

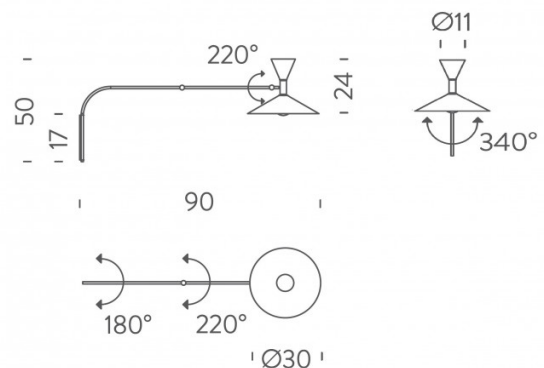


PRODUCT SPECIFICATION

Light Source: 2 x max 46W E14 P45 (excluded)

Dimming: In line on/off switch included on cable

Dimensions: Ø30cm shade
24cm shade height
90cm depth
50cm height
160cm cable length





For all sales and technical enquiries, please contact:

+44 (0)114 263 4266

info@davidvillagelighting.co.uk

www.davidvillagelighting.co.uk