

LEE BROOM

Lee Broom Crystal Bulb Ceiling Light

LA5032/C

SOURCE: <https://www.davidvillagelighting.co.uk/product/Lee-Broom-Crystal-Bulb-Ceiling-Light/21414>

PRODUCT DESCRIPTION

Designer: Lee Broom

Crystal Bulb Ceiling Light by Lee Broom

Inspired by the craftsmanship of crystal cutting, the Lee Broom Crystal Bulb Ceiling Light consists of an ornamental glass bulb which harbours a pattern reminiscent of traditional cut whisky glasses and decanters. With a brushed brass metal structure, this ceiling lamp delivers a sophisticated and stylish aesthetic that will look beautiful in any room. The Crystal Bulb Ceiling Light features a brushed brass ceiling fitting embossed with the Lee Broom logo and is available with either a clear bulb or a frosted bulb, each providing unique illumination.

The clear glass bulb provides a more direct light, whereas the frosted bulbs offer a higher diffusion to the light source resulting in softer ambient lighting. The Lee Broom Crystal Bulb Ceiling Light can be utilised in smaller spaces alone or in bigger spaces in multiples to provide a bolder illumination. The ceiling light is simple, but it creates a stylish expression in whichever room you decide to display it in.



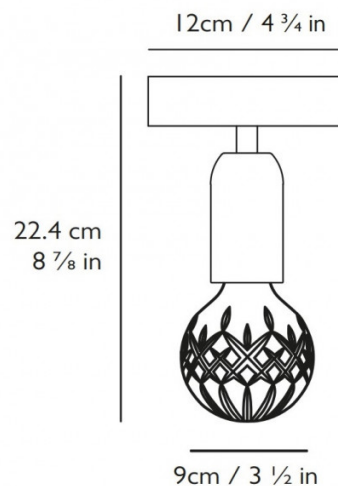
PRODUCT SPECIFICATION

Light Source: 1 x Max 2W E27 LED (included)

IP Code: 20

Dimming: Dimmable via mains phase dimming.

Dimensions: Ø9cm
Height: 22.4cm
Ceiling Mount: Ø12cm





For all sales and technical enquiries, please contact:

+44 (0)114 263 4266

info@davidvillagelighting.co.uk

www.davidvillagelighting.co.uk