

LEE BROOM

Lee Broom Mini Crescent Table Lamp

LA5042/T

SOURCE: <https://www.davidvillagelighting.co.uk/product/Lee-Broom-Mini-Crescent-Table-Lamp/21413>

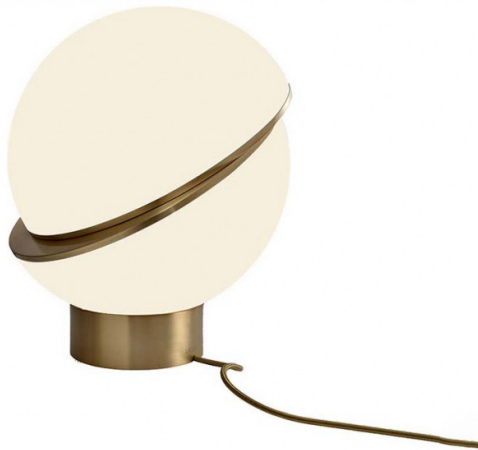
PRODUCT DESCRIPTION

Designer: Lee Broom

Mini Crescent Table Lamp by Lee Broom

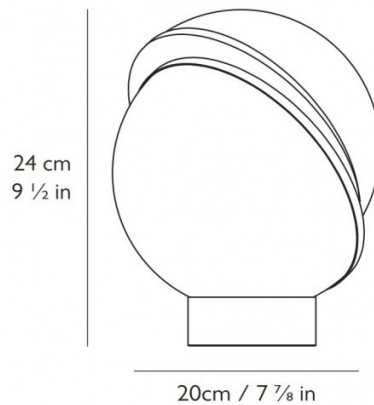
The smaller version of the [Lee Broom Crescent table lamp](#), the Mini Crescent Table Lamp is made from opal acrylic and metal and is characterised by its spherical design. The sphere is split in half, creating a crescent shape, reminiscent of the luminous moon. The Mini Crescent table lamp is available in an opal and brushed brass colour finish, which looks classic and sophisticated in any room.

The opal lampshade of the Lee Broom Mini Crescent Table Lamp creates a diffused and soft glow, perfect for creating a welcoming ambience in your interior. For this reason, this table lamp is perfect for use on coffee tables, desks, side tables, shelves and more to add a chic and interesting aesthetic to your home or commercial setting.



PRODUCT SPECIFICATION

- Light Source:** 1 x Max 6.3W E27 LED (included)
- IP Code:** 20
- Dimming:** In line on/off switch included on cable.
- Dimensions:** Ø20cm
Height: 24cm
Cable Length: 200cm



For all sales and technical enquiries, please contact:

+44 (0)114 263 4266

info@davidvillagelighting.co.uk

www.davidvillagelighting.co.uk