

LODES

Lodes JIM Dome Pendant

LA10368

SOURCE: <https://www.davidvillagelighting.co.uk/product/Lodes-JIM-Dome-Pendant/21364>



PRODUCT DESCRIPTION

Designer: Patrick Norguet

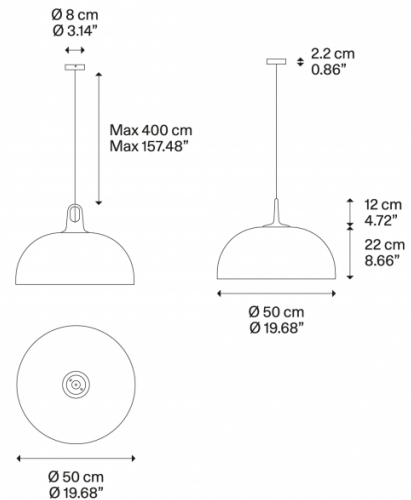
JIM Dome Pendant Light by Lodes

Designed by Patrick Norguet, he got inspiration from the creativity and design of the early 1900s, translating the aesthetic through a functional and simplistic pendant light. The JIM pendant has a sleek, domed silhouette that is enticing and pleasing to the eye. The diffuser is made from metal available in 4 colours, matte black 9005, matte white 9010, matte champagne and coppery bronze. The lampshade is paired with a methacrylate hook which adds a fun embellishment and is available in 2 finishes, grey or honey.

The many colour choices and combinations of the JIM pendant lamp make it all the more intriguing, as the modern finishes look amazing in traditional and contemporary interiors. The pendant lamp emits a downward directed light that is wonderful for hanging over tables and surfaces, and also emanates outwards for a soft, diffused glow.

PRODUCT SPECIFICATION

- Light Source:** 1 x max 25W E27 A60 LED (excluded)
- IP Code:** 20
- Dimming:** Dimmable via mains phase dimming
- Dimensions:** Ø50cm shade  
34cm shade height  
Ø8cm ceiling canopy  
400cm cable length



For all sales and technical enquiries, please contact:

+44 (0)114 263 4266

[info@davidvillagelighting.co.uk](mailto:info@davidvillagelighting.co.uk)

[www.davidvillagelighting.co.uk](http://www.davidvillagelighting.co.uk)