

marset

**Marset Chispa Outdoor LED
Portable Lamp**

LA10347

SOURCE: <https://www.davidvillagelighting.co.uk/product/Marset-Chispa-Outdoor-LED-Portable-Lamp/21257>



PRODUCT DESCRIPTION

Designer: Joan Gaspar

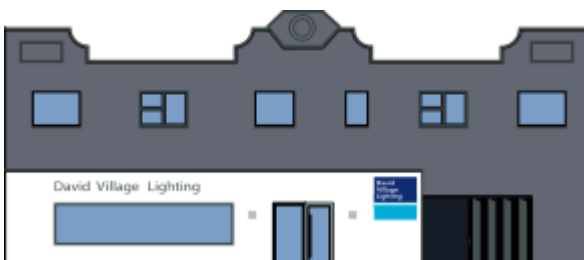
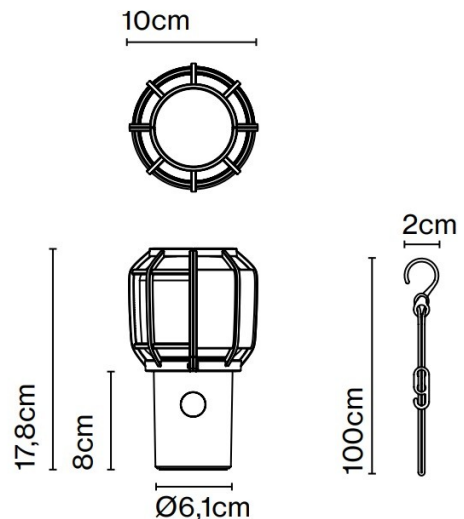
**Marset Chispa Outdoor LED
Portable Table Lamp**

The Chispa LED portable lamp is a new release from Marset and is a very versatile lamp designed by Joan Gaspar. With an IP rating of 44, this table lamp can be used both indoors and outdoors as a handy light for tasks, reading and for creating ambiance. There is a dimmer switch that dims the integrated LED light source in 3 steps and a cord with a hook is also included in the purchase so you can hang the light wherever you need.

The Chispa LED portable table light is available in 4 striking colours, orange, black, green or blue, and comes with a charger cable so you can use the light all around your interior and exterior. With a chic and intriguing design, the Chispa table lamp is perfect for both homes and professional settings and will provide a functional and warm glow, wonderful for all your needs.

PRODUCT SPECIFICATION

- Light Source:** 2.7W, 2700K, 216 Lumens
- IP Code:** 44
- Dimming:** Integrated dimmer on the product.
- Dimensions:** Shade: Ø10cm
Height: 17.8cm
Base: Ø6.1cm
Cable Length: 100cm



For all sales and technical enquiries, please contact:

+44 (0)114 263 4266

info@davidvillagelighting.co.uk

www.davidvillagelighting.co.uk