

PANZERI

Panzeri Hilow LED Pendant  
Light

LA10339

SOURCE: <https://www.davidvillagelighting.co.uk/product/Panzeri-Hilow-LED-Pendant-Light/21165>

PRODUCT DESCRIPTION

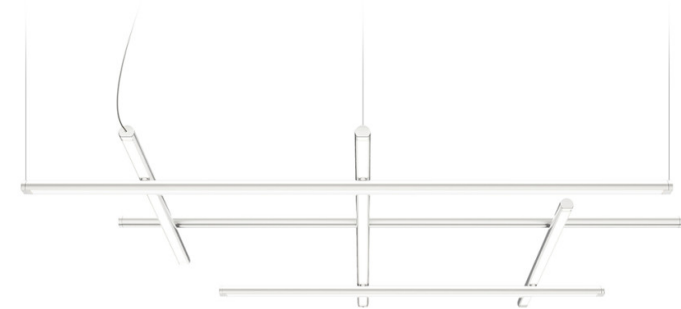
Designer: Matteo Thun

Panzeri Hilow LED Pendant Light

The Panzeri Hilow LED Pendant, designed by Matteo Thun in 2020, offers a versatile and contemporary lighting solution. Featuring six linear modules, this pendant is perfect for creating geometric compositions that add character to large spaces. Its unique reversible design allows the steel cables to be inverted, enabling illumination that favours either direct or indirect light.

The Hilow pendant is available in two lighting options: high emission for brighter illumination and soft emission for more ambient lighting. With five structure finishes, white, matt black, bronze, matt brass, and titanium, as well as a choice of opal (High Emission) or black (Low Emission) diffusers, it complements a wide range of interior styles.

This pendant is ideal for both private and public spaces, including hospitality environments, open-plan offices, and contemporary living areas. Whether installed as a single piece or combined in rows or clusters, the Hilow LED Pendant delivers style and functionality in equal measure.



PRODUCT SPECIFICATION

**Light Source:** High Emission:  
80W, 2700K, 5045 Lumens

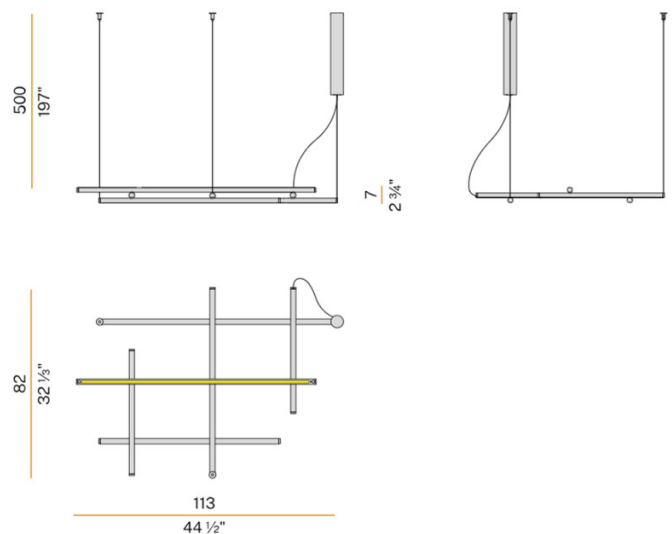
Soft Emission:  
80W, 2700K, 2118 Lumens

**IP Code:** 20

**Dimming:** Dimmable via DALI/Push DIM technology. Please consult your electrician, additional wiring may be required on site.

**Dimensions:** Width: 113cm  
Length: 82cm  
Height: 7cm

Drop Height: 500cm





**For all sales and technical enquiries, please contact:**

+44 (0)114 263 4266

[info@davidvillagelighting.co.uk](mailto:info@davidvillagelighting.co.uk)

[www.davidvillagelighting.co.uk](http://www.davidvillagelighting.co.uk)