

LA10315/P

SOURCE: <https://www.davidvillagelighting.co.uk/product/Flos-Coordinates-LED-Pendant/21074>



**PRODUCT DESCRIPTION**

Designer: Michael Anastassiades

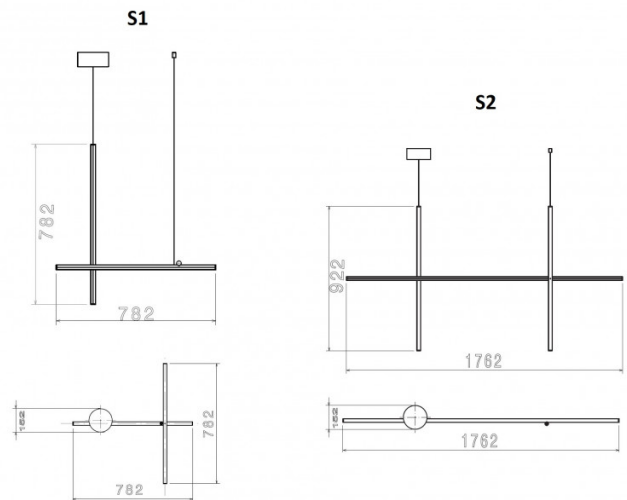
**Coordinates LED Pendant Light by Flos**

Designed by Michael Anastassiades, the Coordinates pendant light is part of the [Coordinates collection](#), a new 2020 range released exclusively by Flos. The pendant is characterised by horizontal and vertical lines, being a geometric spectacle that produces a warm and inviting glow.

The Coordinates pendant has an integrated LED light source which is dimmable and is concealed by the silicone diffuser. The pendant light is available in 2 versions, S1 and S2, which both have their own unique aesthetic. You can use alone in a small space, or use multiple of both versions to create a grid configuration which will draw the eye in bigger spaces. Available in a beautiful anodised champagne or argent finish to add a touch of elegance to any interior.

**PRODUCT SPECIFICATION**

- Light**            **S1** - 37W, 2700K, 1920 lumens
- Source:**        **S2** - 55W, 2700K, 2960 lumens
- IP Code:**      20
- Dimming:**     Dimmable via 1-10V/Dali/Push to make dimming systems. Please consult your electrician, additional wiring may be required on site.
- Dimensions: S1:**  
78.2cm height  
78.2cm width
- S2:**  
92.2cm height  
176.2cm width
- 
- Ø15.2cm ceiling rose  
250cm cable length



**For all sales and technical enquiries, please contact:**

+44 (0)114 263 4266

[info@davidvillagelighting.co.uk](mailto:info@davidvillagelighting.co.uk)

[www.davidvillagelighting.co.uk](http://www.davidvillagelighting.co.uk)