



Normann Copenhagen Grant LED Pendant

LA10322

SOURCE: <https://www.davidvillagelighting.co.uk/product/Normann-Copenhagen-Grant-LED-Pendant/21035>



PRODUCT DESCRIPTION

Designer: Simon Legald

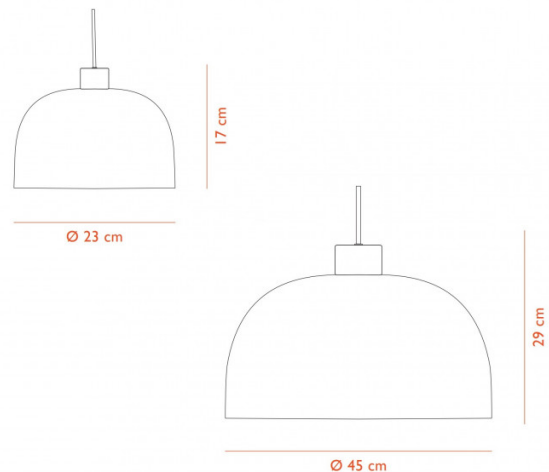
Normann Copenhagen Grant LED Pendant

Normann Copenhagen Grant LED Pendant was designed by Simon Legald as part of the [Grant Collection](#). A combination of polished metal and granite defines a collection of pendants. Available in a black or brass finish, each shade is paired with a black granite fitting which has been placed on the top of the shade. The metal contrasts with the granite, creating an intriguing yet elegant aesthetic.

The Grant pendant is available in two sizes which can be featured in both a commercial or residential setting. The integrated LED source is diffused and has a warm glow because of the dispersion lens in the shade, and particularly thrives when hung over tables. Designed to be timeless and graceful, this pendant is a wonderful choice for a centrepiece as it evokes conversation and stories within its décor. Grant can be displayed beautifully as a single piece or in a cluster above a dining room table.

PRODUCT SPECIFICATION

- Light Source:** **Ø23**
5W, 3000K, 400 Lumens
Ø45
7W, 3000K, 610 Lumens
- IP Code:** 20
- Dimming:** Dimmable via mains phase dimming
- Dimensions:** **Ø23**
Shade: Ø23cm
Ceiling Canopy: Ø9cm
Height: 17cm
Cable: 400cm
Ø45
Shade: Ø45cm
Ceiling Canopy: Ø9cm
Height: 29cm
Cable: 400cm





For all sales and technical enquiries, please contact:

+44 (0)114 263 4266

info@davidvillagelighting.co.uk

www.davidvillagelighting.co.uk