

kdln

KDLN Tatu Table Lamp

LA10310

SOURCE: <https://www.davidvillagelighting.co.uk/product/KDLN-Tatu-Table-Lamp/20994>

PRODUCT DESCRIPTION

Designer: Mr Smith Studio

Tatu Table Lamp by KDLN

The Tatu table lamp was designed by MrSmith Studio and combined both traditional and modern ideas to create an interesting and alluring light. The lamp is made from a triangular brass structure that holds a blown glass shade that seemingly floats mid-air. The structure is available in a black or brass colour finish, which is both a chic and elegant choice.

The lampshade diffuses the light, creating a cosy and warm glow that will provide an inviting atmosphere. The Tatu table light also has a handy dimmer switch so you can create the perfect ambience for your interior. You can use this table lamp on tables, desks, side tables, shelves and more to use as ambient light or as a useful reading light. Useful for homes and commercial settings, this table light is contemporary and graceful. The combination of the satin brass and opal glass creates a stunning effect that is not only modern and interesting but also a classic combination that is well-loved. This light is also dimmable which allows you to alter the lumen output with ease and precision as you alter the ambience in the room. This makes the KDLN Tatu table lamp ideal for a bedside table as it is beautifully diffused and can dim to the perfect brightness.



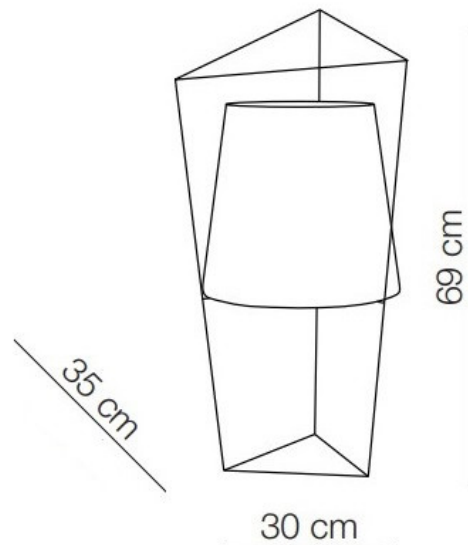
PRODUCT SPECIFICATION

Light Source: 1 x Max 100W E27 (excluded)

IP Code: 20

Dimming: In line dimmer included on cable.

Dimensions: Width: 30cm
Height: 69cm
Depth: 35cm
Cable Length: 240cm





For all sales and technical enquiries, please contact:

+44 (0)114 263 4266

info@davidvillagelighting.co.uk

www.davidvillagelighting.co.uk