

Axolight

Axolight Cut LED Table Lamp

LA10282/T

SOURCE: <https://www.davidvillagelighting.co.uk/product/Axolight-Cut-LED-Table-Lamp/20838>



PRODUCT DESCRIPTION

Designer: Timo Ripatti

Cut Table Lamp by Axolight

The table version of the Cut design, which was created a prolonged collaboration and design process between designer Timo Ripatti and Axolight. From the beginning the focus was to create a lamp that will be adjustable in three positions and would not emit any glare or dazzle. The collection won the "Good Design" award for the Lighting category for 2019/2020.

Cut table lamp has a laser-cut aluminium body, folding in various points and two important elements. One element is the LED light source, housed in circular metal disk. And the other is a semi-transparent diffuser integrated on a metal ring. The two elements are facing each other, and as such the light is filtered and partially reflected by the semi-transparent screen.

The [Cut Collection](#) also includes a suspension and a floor lamp, all lights are available in an intense black finish colour and come with an dimmable integrated LED source.

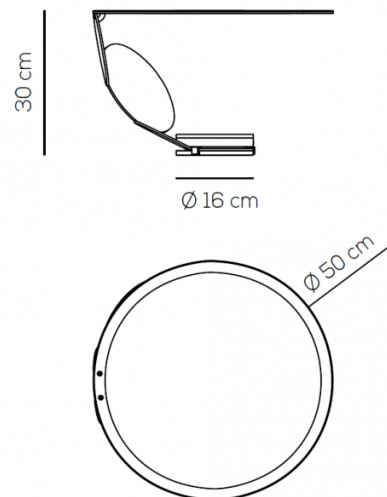
PRODUCT SPECIFICATION

Light Source: 17W, 3000K, 1376 lumens

IP Code: 20

Dimming: In-line dimmer included on cable.

Dimensions: 30 cm height
 Ø 50 cm diffuser
 Ø 16 cm base





For all sales and technical enquiries, please contact:

+44 (0)114 263 4266

info@davidvillagelighting.co.uk

www.davidvillagelighting.co.uk