

**Axolight**

**Axolight Manto LED Suspension**

LA10280

SOURCE: <https://www.davidvillagelighting.co.uk/product/Axolight-Manto-LED-Suspension/20834>



**PRODUCT DESCRIPTION**

**Designer:** Davide Besozzi

**Manto by Axolight**

Available in three sizes, the Manto suspension light has a futuristic element to it. Designed by Davide Besozzi for Italian lighting company, Axolight. The light is comprised of an opaline glass sphere which houses the integrated LED. A telescopic arm supports the sphere, which can be adjusted into different positions - higher or lower. You may wish to leave the sphere hanging above the elastic fabric, or lower and let it immerse into the material. The fabric itself is stretched over a metal ring and fixed in a horizontal position. All the above elements are interconnected via a series of steel rods; all metal parts are painted a light grey finish.

The relationship of the sphere and elastic fabric will determine the shape of the suspension as well as the light diffusion; different positions of the sphere will affect the light distribution. Manto is a light that can be utilised to define any interior space; installed as a standalone or in multiple compositions to create a stunning effect.

**PRODUCT SPECIFICATION**

**Light Source:** **Manto 70** - 18W, 3000K, 1956 lumens  
**Manto 120** - 24W, 3000K, 2507 lumens  
**Manto 180** - 28W, 3000K, 2894 lumens

**IP Code:** 20

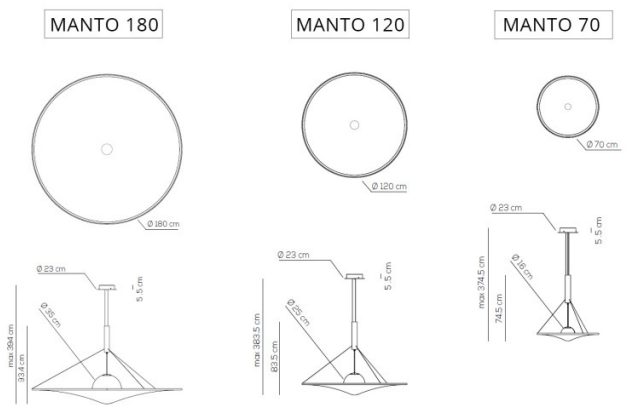
**Dimming:** Dimmable via 1-10v dimming systems. Please consult your electrician, additional wiring may be required on site.

**Dimensions: Manto 70**  
 Ø 70 cm  
 74.5 cm height  
 Ø 16 cm inner sphere  
 max 374.5 cm drop height

**Manto 120**  
 Ø 120 cm  
 83.5 cm height  
 Ø 25 cm inner sphere  
 max 383.5 cm drop height

**Manto 180**  
 Ø 180 cm  
 93.4 cm height  
 Ø 35 cm inner sphere  
 max 394 cm drop height

Ø 23 x 5.5 cm ceiling canopy





**For all sales and technical enquiries, please contact:**

+44 (0)114 263 4266

[info@davidvillagelighting.co.uk](mailto:info@davidvillagelighting.co.uk)

[www.davidvillagelighting.co.uk](http://www.davidvillagelighting.co.uk)