

Axolight

Axolight Skirt Suspension

LA10279/S

SOURCE: <https://www.davidvillagelighting.co.uk/product/Axolight-Skirt-Suspension/20832>



PRODUCT DESCRIPTION

Designer: Manuel Vivian

Skirt Suspension by Axolight

A collection of primarily ceiling and suspension lights, the Skirt is one of Axolight's iconic lights. The suspension light has a steel frame and covered in pongee fabric, which is a flame-retardant TREVIRA®CS fabric. Skirt lights are available in a choice of 6 lively colours to pick from: blue, white, red, orange, light green and light grey. The diffuser is included and the lights are suspended from a white, round ceiling canopy. You may choose between a small (50cm) or a medium (70cm) sized suspension light.

The lights can be installed in any interior space, instantly bringing a colourful touch. The unique material and vivid colours will definitely draw the viewers attention. Suggested for both commercial and residential projects, as well as in hospitality. You may also choose to install the Skirt light in high ceiling interiors.

Skirt suspension light is also available in two larger sizes, with a diameter of 100 or 150 cm. You may also prefer to have a black net fabric covering, atop the shade. Please [contact us](#) for more information and pricing. The collection also includes the [Skirt ceiling light](#) and a [table lamp](#).

PRODUCT SPECIFICATION

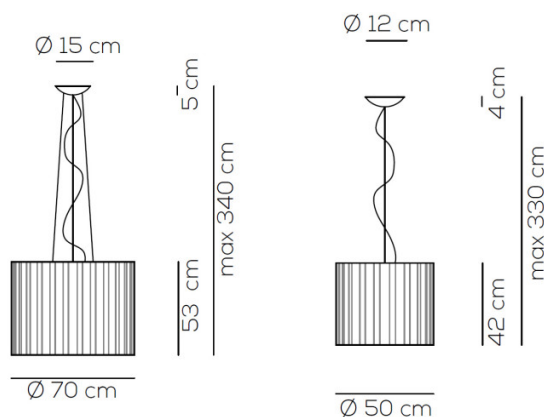
Light Source: 1 x max 20W LED E27 or 70W E27 (excluded)

IP Code: 20

Dimming: Dimmable via mains phase dimming.

Dimensions: Skirt 50
 Ø 50 cm
 42 cm height
 max 330 cm drop height
 Ø 12 x 4 ceiling canopy

Skirt 70
 Ø 70 cm
 53cm height
 max 340 cm drop height
 Ø 15 x 5 ceiling canopy





For all sales and technical enquiries, please contact:

+44 (0)114 263 4266

info@davidvillagelighting.co.uk

www.davidvillagelighting.co.uk