

ZERO

LA10257/M

# Zero Compose Suspension with Metal Shade

SOURCE: <https://www.davidvillagelighting.co.uk/product/Zero-Compose-Suspension-with-Metal-Shade/20737>

## PRODUCT DESCRIPTION

**Designer:** Jens Fager

### Compose with metal shade by Zero

A new pendant light by Zero, the Compose offers a wide range of colour options for you to choose from. The designer, Jens Fager, was meticulous with his design on the suspension light, up to the smallest detail. A pendant that you can mix and match to create a unique light for your home, office or business. You can install multiple Compose pendants and create a colourful cluster of lights.

The Compose pendants benefit from the GU10 LED source, and although these are not dimmable there is an integrated LED plus DALI dimmable version. These pendant lights come with an opal diffuser, guaranteed to offer warm and comfortable lighting. But the pendants have more options to offer, with a choice of a matt clear diffuser. For further information and pricing please [contact us](#).

To build your own Compose light, first you need to choose the colour of the fitting. The fittings are available in 4 colour options: white (RAL 9016), black (RAL 9005), grey (RAL 9007) and green (RAL 6020). You can purchase and install the Compose as is, and not have any shade; have a colourful beam of light hanging above the kitchen counter, a dining table or in the corner of your living room. But if you do prefer to add a shade to the pendant, you have a choice of two sizes - small or large - made of painted aluminium. The shades can either match the colour of the fitting or you can create your own unique combination. The shades are available in the following colour options: white, black, grey, green, brass and copper. The pendants come with a textile fabric matching the colour of the fitting.

The Compose Collection would not be complete without offering even more options to configure your light. The pendant is also available with a choice of small or large shade made of glass. The glass shades also have a hint of colour - in a choice of clear glass, green glass, grey glass or matt-white glass.



## PRODUCT SPECIFICATION

**Light Source:** 1 x 5W LED GU10 (included by Zero)

**IP Code:** 20

**Dimming:** Non dimmable.

**Dimensions:** **Small:**

Ø9.5 cm shade

5.8 cm shade height

13.5 cm height with socket

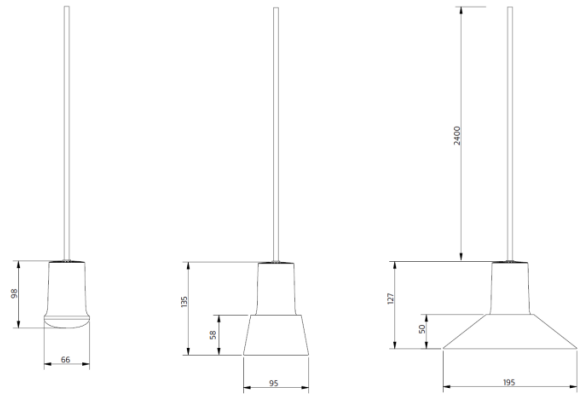
**Large:**

Ø 19.5 cm shade

5 cm shade height

12.7 cm height with socket

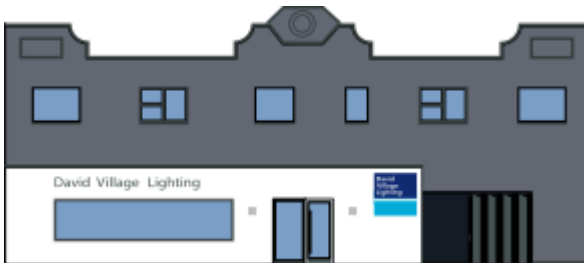
240 cm cable length (in matching colour)



No shade

Small shade

Large shade



**For all sales and technical enquiries, please contact:**

+44 (0)114 263 4266

[info@davidvillagelighting.co.uk](mailto:info@davidvillagelighting.co.uk)

[www.davidvillagelighting.co.uk](http://www.davidvillagelighting.co.uk)