

Prandina Ginger Pendant

LA3894/P

SOURCE: <https://www.davidvillagelighting.co.uk/product/Prandina-Ginger-Pendant/20690>



PRODUCT DESCRIPTION

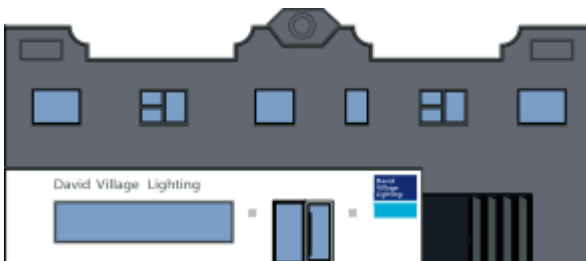
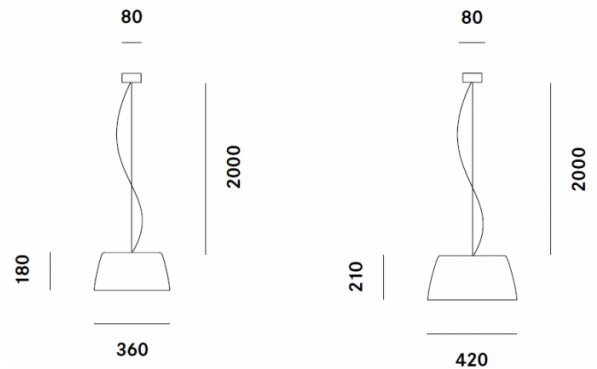
Ginger Pendant Light by Prandina

The Ginger pendant is a beautiful light that has a delicate and simplistic design that makes it versatile, functional and stylish. The lampshade is made from opal white plastic which produces a diffused light that is glare-free and warm. The pendant creates a very welcoming atmosphere and can be used lounges, dining rooms, kitchens and many more spaces.

The Ginger pendant light is available in 2 sizes, the S30 and S50, so you can find the right size for the room. You can also mix and match both sizes to create a varied row or cluster or you can buy one to have as a main feature light. The pendant light can be used in both commercial and domestic settings and will be a chic and modern addition to your décor.

PRODUCT SPECIFICATION

- Light Source:** 2 x FBA E27 15W max (excluded)
- IP Code:** 20
- Dimming:** Dimmable via mains phase dimming
- Dimensions:** S30 - Ø36cm, H 18cm
S50 - Ø42cm, H 21cm
- Ø8cm ceiling rose
- 200cm cable length



For all sales and technical enquiries, please contact:

+44 (0)114 263 4266

info@davidvillagelighting.co.uk

www.davidvillagelighting.co.uk