

prandina
LIGHTING STORIES

Prandina Landing LED Table Lamp

LA10242

SOURCE: <https://www.davidvillagelighting.co.uk/product/Prandina-Landing-LED-Table-Lamp/20683>



PRODUCT DESCRIPTION

Designer: Sergio Prandina

Landing LED Table Lamp by Prandina

A part of the [Prandina Landing collection](#), the Landing table lamp is made from metal, with an opal methacrylate diffuser to create a nice warming glow. The lamp is characterised by its clean lines and disc-like lampshade, being contemporary and sleek in look. The table lamp comes with an integrated LED light source making it eco-friendly which emits a 2700K (warmest white) colour temperature, creating a comforting atmosphere. The lamp is also dimmable with a dimmer switch included on the cable so you can create your unique light setting.

The Landing table light has a downward directed light making it perfect as a desk lamp used for reading, tasks and ambience. The lamp is available in matt white, a subtle colour that will sit comfortably in many spaces. Suitable for the home and office, this sophisticated yet contemporary lamp will add a touch of minimalism to your room.

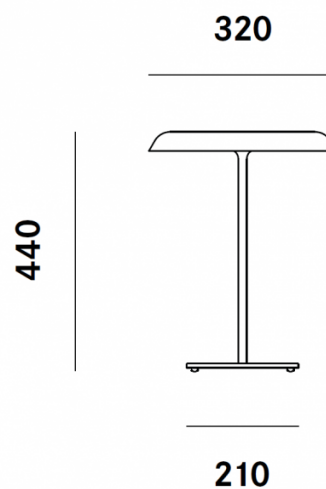
PRODUCT SPECIFICATION

Light Source: 16W, 2700K, 2300 lumens

IP Code: 20

Dimming: In line dimmer included on cable

Dimensions: Ø32cm shade
44cm height
Ø21cm base





For all sales and technical enquiries, please contact:

+44 (0)114 263 4266

info@davidvillagelighting.co.uk

www.davidvillagelighting.co.uk