

**Prandina Landing Glass S70
LED Pendant**

LA10241

SOURCE: <https://www.davidvillagelighting.co.uk/product/Prandina-Landing-Glass-S70-LED-Pendant/20682>



PRODUCT DESCRIPTION

Designer: Sergio Prandina

Landing Glass S70 LED Pendant by Prandina

The Landing Glass S70 pendant is the glass version of the [Landing S70 pendant](#), making the design even more refined and classic. The upper diffuser is made from sandblasted glass, reflecting the light that emanates from the middle part which has a built-in LED module. This produces a lovely, warm glow which is glare-free creating a nice atmosphere. The bottom light hangs pointing downwards, acting more as a spotlight, which uses a GU10 light bulb which is excluded from the purchase.

This pendant light comes in a simple matt white finish to easily slip into any design scheme or setting. The Landing Glass S70 pendant light is the perfect choice for many settings and can be used for both domestic and commercial spaces. Use one as a feature light or buy several to illuminate a big space. You can also match this pendant with others from the [Prandina Landing collection](#) to create a real splash.

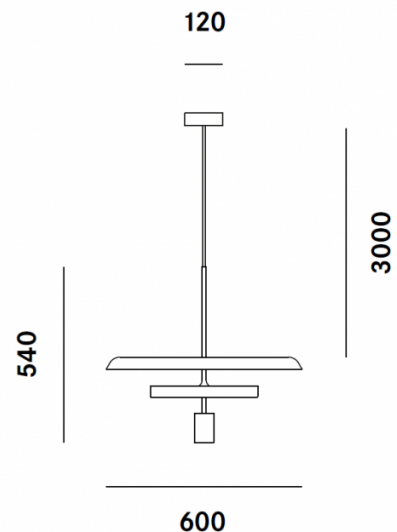
PRODUCT SPECIFICATION

Light Source: 1 x DRPAR GU10 6W max (excluded)

IP Code: 20

Dimming: Dimmable via Trailing edge.

Dimensions: Ø60cm shade
54cm shade height
Ø16cm ceiling rose
3m cable length





For all sales and technical enquiries, please contact:

+44 (0)114 263 4266

info@davidvillagelighting.co.uk

www.davidvillagelighting.co.uk