

LODES

Lodes Kelly Dome Pendant

LA10212

SOURCE: <https://www.davidvillagelighting.co.uk/product/Lodes-Kelly-Dome-Pendant/20635>



PRODUCT DESCRIPTION

Designer: Andrea Tosetto

Kelly Dome Pendant Light by Lodes

Designed in 2015 by Andrea Tosetto, the Lodes Kelly Dome pendant is one of the brand's bestsellers. Made from laser cut metal, the lampshade is both intriguing and stunning as it has geometric holes cut in the bottom half of the dome. The light is then concealed by a glass diffuser, letting a glare-free light escape downwards. The holes in the shade then create a fun balance of light and shade, making this pendant light not only functional but decorative.

The Kelly Dome pendant light is available in 4 colours and 3 sizes, allowing you to mix and match different variations to create a light spectacle. Suitable for many settings, this pendant can be used as a singular light or as part of a series or cluster. This pendant particularly thrives in dining, kitchen or lounge areas, hanging over a table or workspace. Match with other lights from the [Lodes Kelly collection](#) to create a dynamic space.

PRODUCT SPECIFICATION

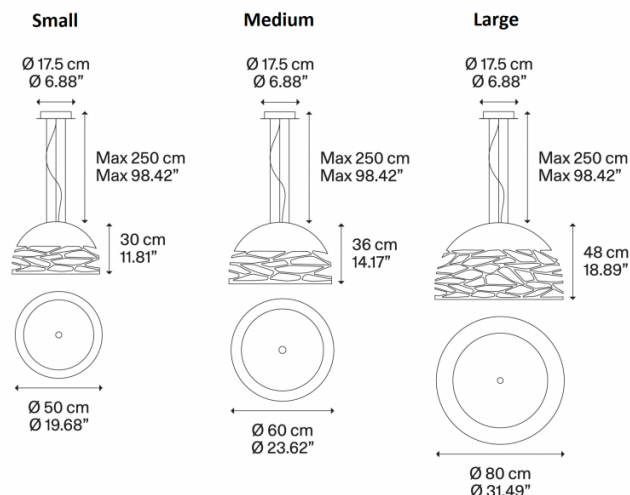
Light Source: Small - 3 x max 25W E27 LED (excluded)
 Medium - 3 x max 25W E27 LED (excluded)
 Large - 4 x max 25W E27 LED (excluded)

IP Code: 20

Dimming: Dimmable via mains phase dimming

Dimensions: Small - Ø50cm, H 30cm
 Medium - Ø60cm, H 36cm
 Large - Ø80cm, H 48cm

Ø17.5cm ceiling canopy
 250cm max cable length





For all sales and technical enquiries, please contact:

+44 (0)114 263 4266

info@davidvillagelighting.co.uk

www.davidvillagelighting.co.uk