



Buster + Punch Caged 1.0 Large Wall Light

LA10122

SOURCE: <https://www.davidvillagelighting.co.uk/product/Buster-Punch-Caged-10-Large-Wall-Light/20392>



PRODUCT DESCRIPTION

Designer: Massimo Minale

Buster + Punch Caged 1.0 Large Wall Light

The Caged 1.0 Large Wall Light from Buster + Punch has been designed as a sculptural centrepiece which encases an elegant tubular light source. The LED light source combines function with style, giving a warm crisp light reminiscent of a traditional candle light with a modern twist. The Buster Bulb is designed to last 27 years and utilises LED technology, meaning it uses 1/50th of the energy of conventional light bulbs.

The matt black metal cage comes with a changeable back panel and the choice between either white or black marble. The [Caged collection](#) from Buster + Punch can be used in conjunction to create linear or staggered compositions of different sized lights.

Now also available as an IP-rated version; [Caged Wet Wall Light](#). Allowing for use in bathrooms and wet rooms.

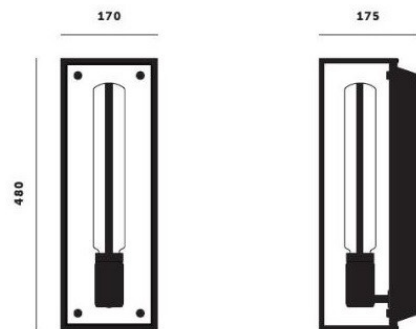
PRODUCT SPECIFICATION

Light Source: 1 x 5W LED E27 2700K 320 lumens (included)

IP Code: 20

Dimming: Dimmable via mains phase dimming.

Dimensions: Height: 48cm
Length: 17cm
Width: 17.5cm





For all sales and technical enquiries, please contact:

+44 (0)114 263 4266

info@davidvillagelighting.co.uk

www.davidvillagelighting.co.uk